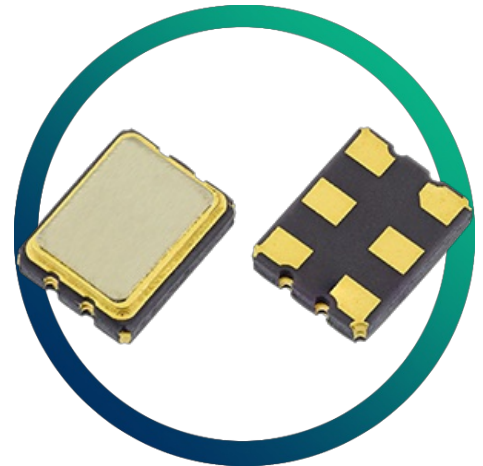


GVXO-L33L

3.3V Complementary LVDS VCXO

- Complementary LVDS outputs
- Multiplier-free design
- Enable / disable tristate function
- Designed for high speed data transfer

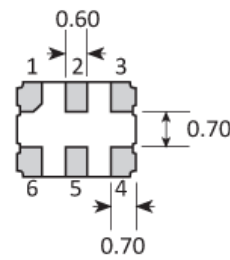
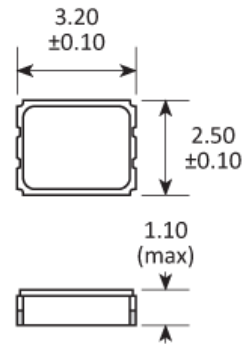
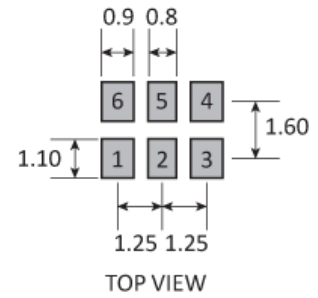


CONFIGURABLE OPTIONS

Parameter	Option Code
Frequency	
Frequency pullability	
±50ppm min	
Frequency stability	
* see note below	
Any	
±50ppm max	B
±25ppm max	C
Operating temperature range	
Any	
-10 to +70°C	
-40 to +85°C	I

SPECIFICATIONS

Frequency range	40.0 ~ 250MHz
Dimensions	3.2 x 2.5 x 1.1mm
Voltage control (V_{CTL})	+1.65V \pm 1.50V, 10% linearity
Storage temperature range	-40 to +85°C
Supply voltage (V_{DD})	+3.3V (\pm 5%)
Supply current	25mA max
Output	LVDS
Offset voltage	1.25V typ
Differential output voltage	0.35V typ
Waveform symmetry	45:55 max @ 50% V_{p-p}
Rise / fall time	0.4ns max (20% ~ 80% V_{p-p})
Phase jitter	1ps max (12kHz ~ 20MHz)
Enable / disable function	Tristate (control via pad 2)

PACKAGE DRAWING

SOLDER PAD LAYOUT


PAD	CONNECTION
1	Control voltage
2	Enable / disable
3	Ground
4	Output 1 (Q)
5	Output 2 (\bar{Q})
6	Supply

Dimensions in mm

ORDERING INFORMATION

To request a quotation for the GVXO-L33L please use the configurable options form to choose the options you require and then submit your configured product to our team. Our expert advisers are always happy to help with your requirements and can be contacted on +44 1460 256 100 or at sales@golledge.com.

Following product selection you will be issued with a seven character Golledge part number. Your Golledge part number is the internationally accepted Golledge manufacturing part number (MPN) that should be used for all project documentation, including bills of materials (BoMs) and purchase orders.

If you have any queries regarding any of our documentation our dedicated sales team will be happy to help.

ENABLE / DISABLE FUNCTION

Input (pad 2)	Output 1 (pad 4)	Output 2 (pad 5)
Open	Enabled	Enabled
'1' level ($\geq 0.7 V_{DD}$)	Enabled	Enabled
'0' level ($\leq 0.3 V_{DD}$)	High Impedance	High Impedance

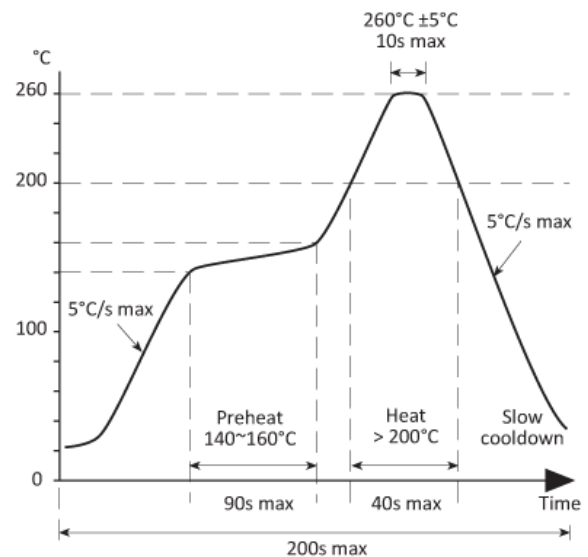
MARKING

FREQUENCY DC • PARTNO	• Pin 1 Marking type: Laser
--------------------------	--------------------------------

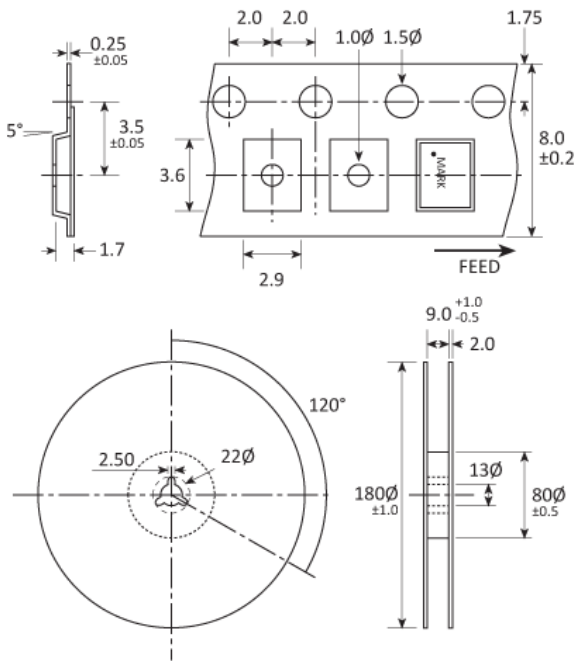
DC = Date Code in YM, eg. "GF" = Jun 2017

	A	B	C	D	E	F	G	H	J	K	L	M
Y	1	2	3	4	5	6	7	8	9	0		
M	Jan	Feb	Mar	Apr	May	Jun	Jul	Aug	Sep	Oct	Nov	Dec

SOLDERING PROFILE



TAPE & REEL SPECIFICATION



Dimensions in mm

CONSTRUCTION

Ceramic body with gold-plated pads Metal lid, seam sealed

HANDLING & STORAGE



Human Body Model (HBM) 1A (250V to < 500V)



Moisture Sensitivity Level (MSL): 1

COMPLIANCE



Lead-free (< 0.1% by weight)



RoHS compliant with no exemptions.