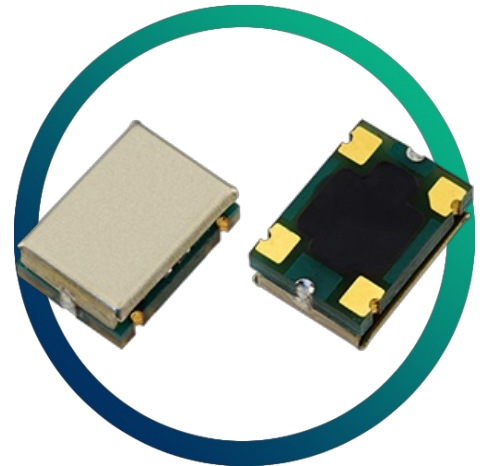


GTXO-74T

3.0V VCTCXO Sine Low Phase Noise

- Low phase noise
- Clipped sine output, 0.7V p-p
- Miniature SM package
- Sealed crystal design



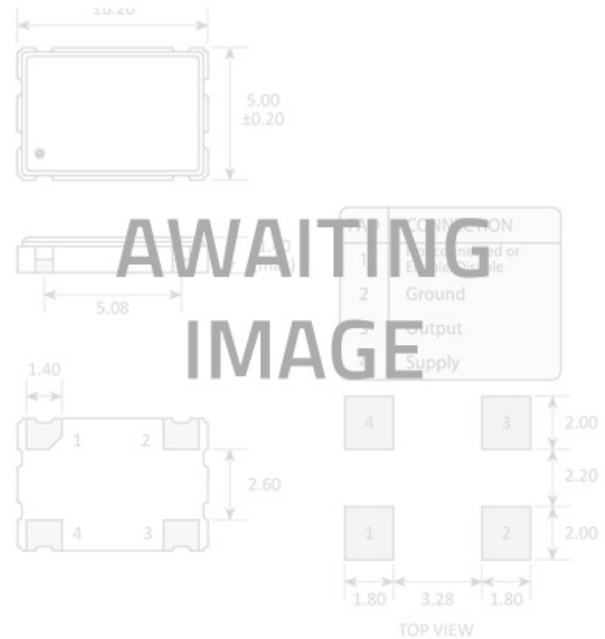
CONFIGURABLE OPTIONS

| Parameter | Option Code |
|---------------------|-------------|
| Frequency | |
| Frequency stability | |
| Any | |
| ±2.5ppm max | J |
| ±2.0ppm max | H |
| ±1.5ppm max | G |
| Temperature range | |
| Any | |
| -20 to +70 °C | N |
| -30 to +75 °C | S |
| -40 to +85 °C | I |

SPECIFICATIONS

| | |
|------------------------------|---|
| Frequency range | 30.0 ~ 61.44MHz |
| Dimensions | 7.0 x 5.0 x 2.5mm |
| Storage temperature range | -40 to +85°C |
| Supply voltage stability | ±1.0ppm, V_{DD} ±5% |
| Load stability | ±0.2ppm, Z_L ±10% |
| Ageing | ±1.0ppm max first year |
| Supply voltage (V_{DD}) | +3.0V ±5% |
| Supply current | 5.0mA max |
| Output waveform | Clipped sine, 0.7V p-p, +DC offset |
| Test load (Z_L) | 10kΩ // 10pF |
| Start up time | 3ms max |
| Phase noise (typ @ 61.44MHz) | -86dBc/Hz @ 10Hz -118dBc/Hz @ 100Hz -144dBc/Hz @ 1kHz -157dBc/Hz @ 10kHz |
| Preset frequency @ 25°C | ±2.0ppm max |

PACKAGE DRAWING



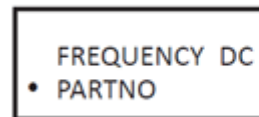
ORDERING INFORMATION

To request a quotation for the GTXO-74T please use the configurable options form to choose the options you require and then submit your configured product to our team. Our expert advisers are always happy to help with your requirements and can be contacted on +44 1460 256 100 or at sales@golledge.com.

Following product selection you will be issued with a seven character Golledge part number. Your Golledge part number is the internationally accepted Golledge manufacturing part number (MPN) that should be used for all project documentation, including bills of materials (BoMs) and purchase orders.

If you have any queries regarding any of our documentation our dedicated sales team will be happy to help.

MARKING

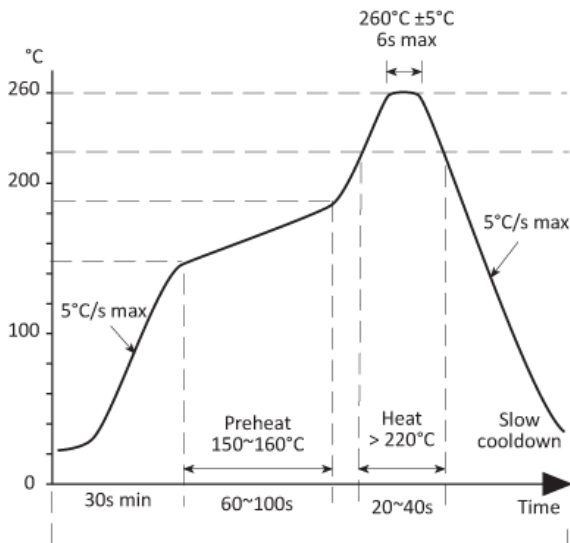


- Pin 1
Marking type: Laser

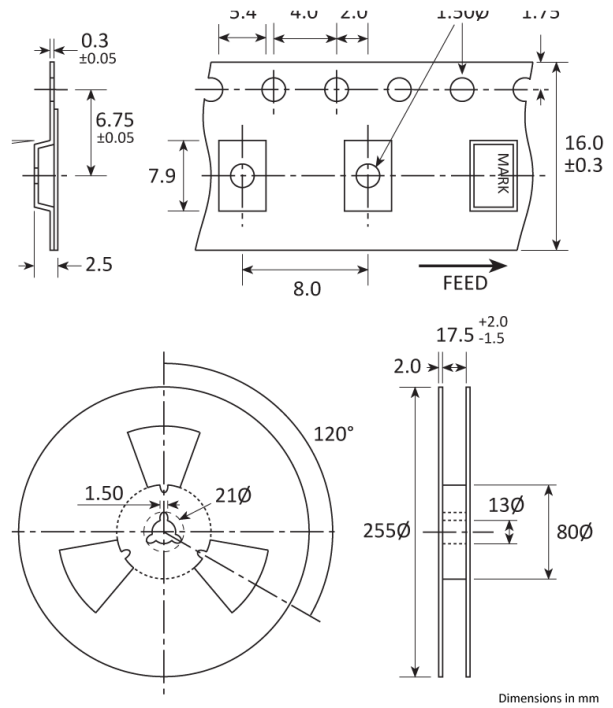
DC = Date Code in YM, eg. "GF" = Jun 2017

| | A | B | C | D | E | F | G | H | J | K | L | M |
|---|-----|-----|-----|-----|-----|-----|-----|-----|-----|-----|-----|-----|
| Y | 1 | 2 | 3 | 4 | 5 | 6 | 7 | 8 | 9 | 0 | | |
| M | Jan | Feb | Mar | Apr | May | Jun | Jul | Aug | Sep | Oct | Nov | Dec |

SOLDERING PROFILE



TAPE & REEL SPECIFICATION



HANDLING & STORAGE



Human Body Model (HBM) 1A (250V to < 500V)



Moisture Sensitivity Level (MSL): 1

COMPLIANCE



Lead-free (< 0.1% by weight)



RoHS compliant with no exemptions.

CONSTRUCTION

PCB carrier Metal screening lid