

# GSF-72 21S12B

21.4MHz 4 pole crystal filter with  
12.0kHz 3dB bandwidth



- Other frequencies up to 70MHz available
- Custom specifications available
- Miniature SM package

## CONFIGURABLE OPTIONS

Parameter	Option Code
-----------	-------------

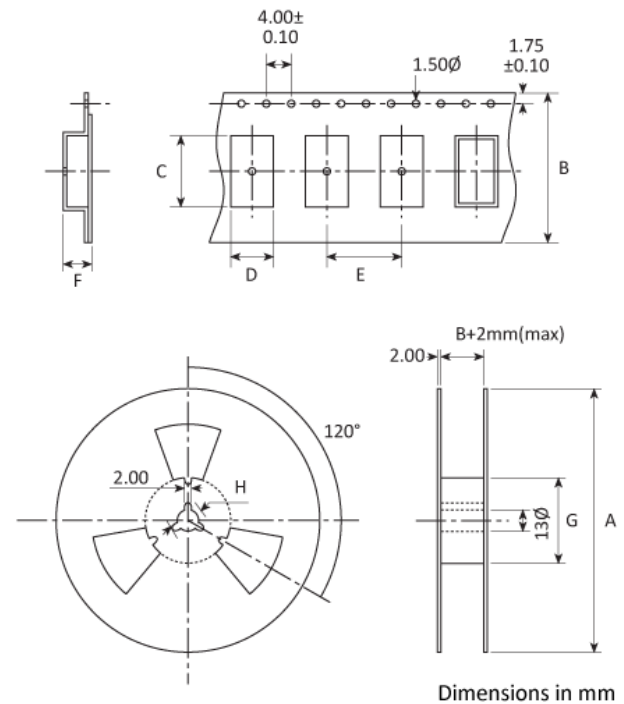
## ORDERING INFORMATION

To request a quotation for the GSF-72 21S12B please use the configurable options form to choose the options you require and then submit your configured product to our team. Our expert advisers are always happy to help with your requirements and can be contacted on +44 1460 256 100 or at [sales@golledge.com](mailto:sales@golledge.com).

Following product selection you will be issued with a seven character Golledge part number. Your Golledge part number is the internationally accepted Golledge manufacturing part number (MPN) that should be used for all project documentation, including bills of materials (BoMs) and purchase orders.

If you have any queries regarding any of our documentation our dedicated sales team will be happy to help.

## TAPE & REEL SPECIFICATION



A:250 B:17.5 C:7.9 D:5.4 E:8 F:1.7 G:80 H:21

---

**HANDLING & STORAGE**

---



Human Body Model (HBM) 1A (250V to < 500V)



Moisture Sensitivity Level (MSL): 1

---

**CONSTRUCTION**

---

Ceramic base with metal lid

---

**COMPLIANCE**

---