

GSF-71 21S12B

21.4MHz 4 pole crystal filter with 12.0kHz 3dB bandwidth

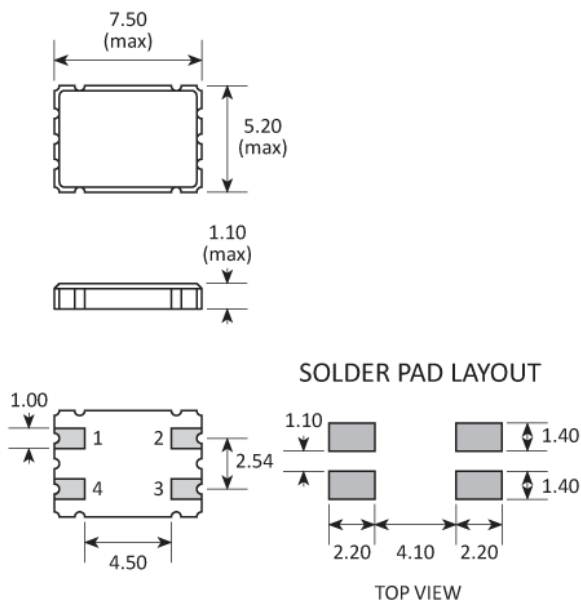


- 45.0MHz and other frequencies up to 70MHz available
- Custom specifications available
- Miniature SM package

CONFIGURABLE OPTIONS

Parameter	Option Code
-----------	-------------

PACKAGE DRAWING



PAD	CONNECTION
1	In / Out
2	Ground
3	Out / In
4	Ground

4-pole models consist of a matched pair of units
Dimensions in mm

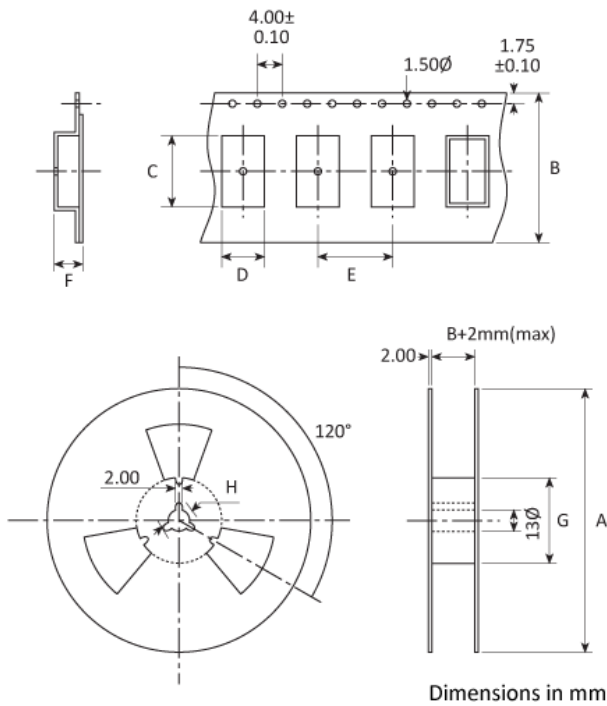
ORDERING INFORMATION

To request a quotation for the GSF-71 21S12B please use the configurable options form to choose the options you require and then submit your configured product to our team. Our expert advisers are always happy to help with your requirements and can be contacted on +44 1460 256 100 or at sales@golledge.com.

Following product selection you will be issued with a seven character Golledge part number. Your Golledge part number is the internationally accepted Golledge manufacturing part number (MPN) that should be used for all project documentation, including bills of materials (BoMs) and purchase orders.

If you have any queries regarding any of our documentation our dedicated sales team will be happy to help.

TAPE & REEL SPECIFICATION



A:250 B:17.5 C:7.9 D:5.4 E:8 F:1.7 G:80 H:21

HANDLING & STORAGE



Human Body Model (HBM) 1A (250V to < 500V)



Moisture Sensitivity Level (MSL): 1

CONSTRUCTION

Ceramic base with metal lid

COMPLIANCE