

GMCF-HF 70G15B

70MHz 4 pole crystal filter with
15.0kHz 3dB bandwidth

- Standard models available from stock
- Custom specifications available

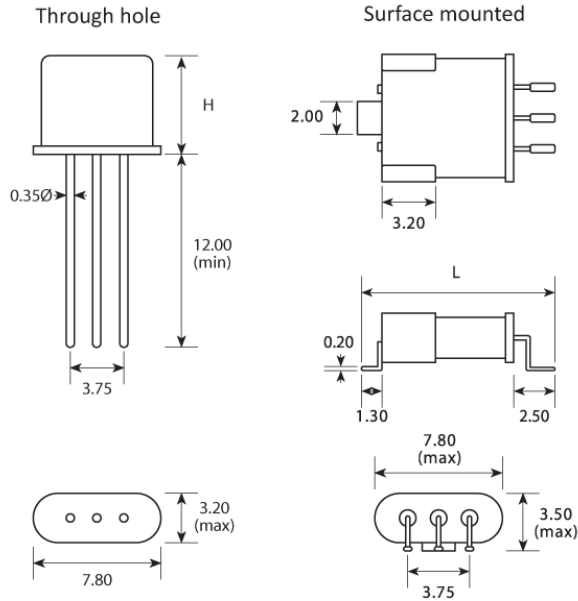


CONFIGURABLE OPTIONS

Parameter	Option Code
-----------	-------------

PACKAGE DRAWING

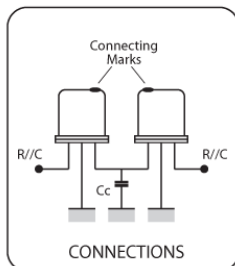
Package Options



Package	Height H
UM-1/3L	8.00 max
UM-5/3L	6.00 max

Package	Length L
UM-1JN/3L	12.50 max
UM-5JN/3L	10.50 max

Dimensions in mm



HANDLING & STORAGE



Human Body Model (HBM) 1A (250V to < 500V)



Moisture Sensitivity Level (MSL): 1

COMPLIANCE

ORDERING INFORMATION

To request a quotation for the GMCF-HF 70G15B please use the configurable options form to choose the options you require and then submit your configured product to our team. Our expert advisers are always happy to help with your requirements and can be contacted on +44 1460 256 100 or at sales@golledge.com.

Following product selection you will be issued with a seven character Golledge part number. Your Golledge part number is the internationally accepted Golledge manufacturing part number (MPN) that should be used for all project documentation, including bills of materials (BoMs) and purchase orders.

If you have any queries regarding any of our documentation our dedicated sales team will be happy to help.

CONSTRUCTION

Resistance weld