

SAW Filter 782MHz
Part No: MP02502

Model: TA1152A
REV. NO: 1

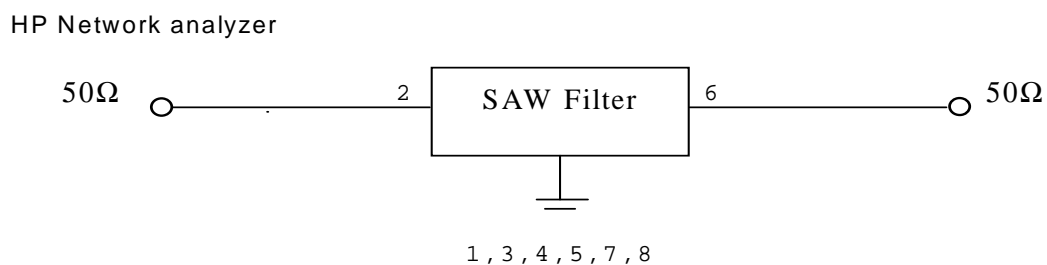
A. MAXIMUM RATING:

1. Input Power Level: 25dBm
2. DC Voltage: 3V
3. Operating Temperature: -20°C to +70°C
4. Storage Temperature: -40°C to +85°C

B. ELECTRICAL CHARACTERISTICS:

Item	Unit	Min.	Typ.	Max.
Center frequency Fc	MHz	-	782	-
Insertion Loss (777 ~ 787MHz) IL	dB	-	1.4	2.5
Amplitude Ripple (777 ~ 787MHz)	dB	-	0.5	1.5
Return Loss (777 ~ 787MHz)	dB	10	12	-
Attenuation (Reference level from 0dB)				
0 ~ 700MHz	dB	30	41	-
746 ~ 756MHz	dB	40	47	-
840 ~ 890MHz	dB	35	44	-
1000 ~ 2000MHz	dB	25	34	-
Temperature coefficient of Frequency	ppm/°C	-	-36	-

C. MEASUREMENT CIRCUIT:



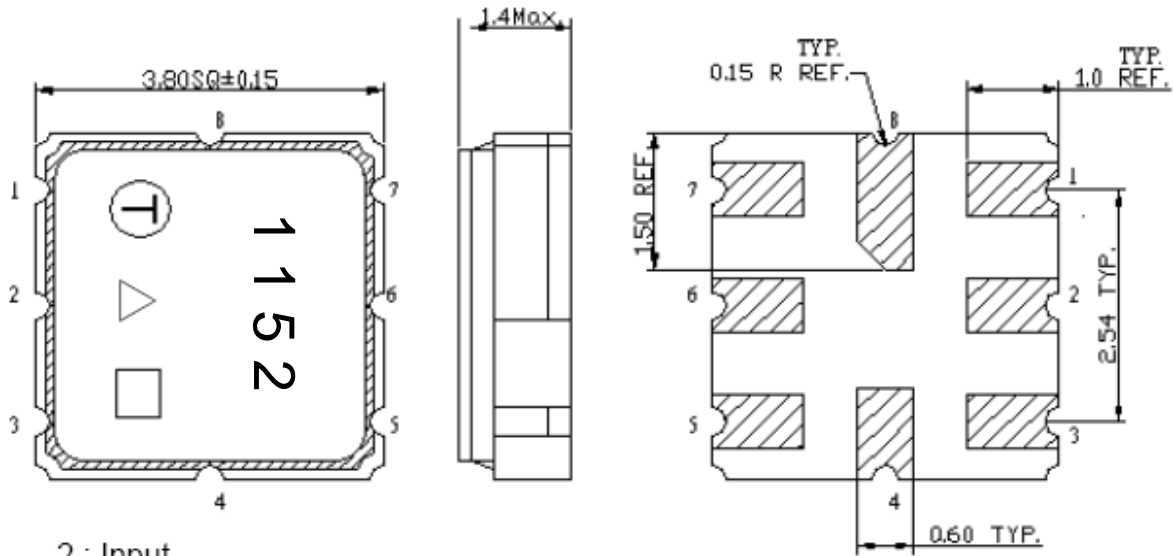
SAW Filter 782MHz

Model: TA1152A

Part No: MP02502

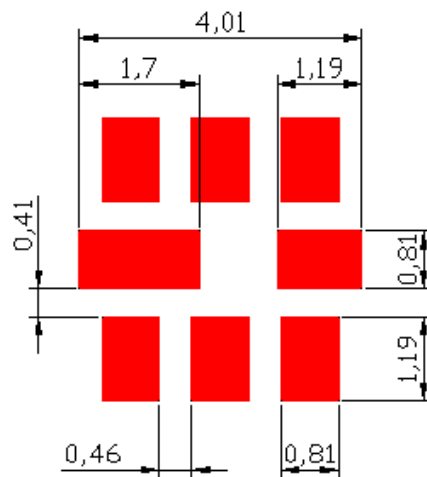
REV. NO: 1

D. OUTLINE DRAWING:



- 2 : Input
- 6: Output
- 1,3,4,5,7,8: Ground
- △ : Year Code
- : Date Code (W01->A, W02->B, ..., W52->z)

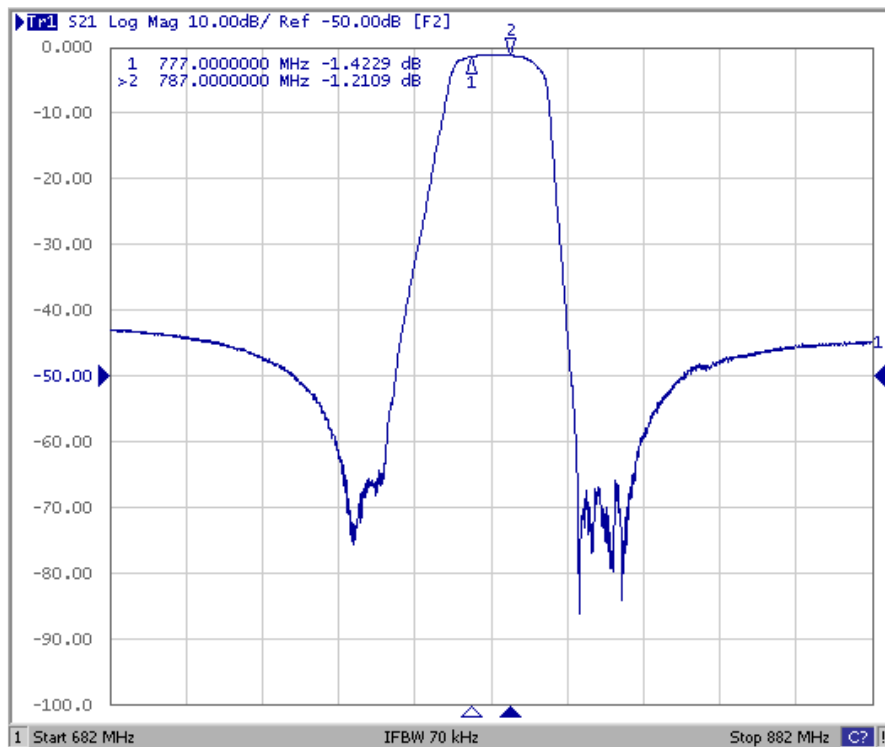
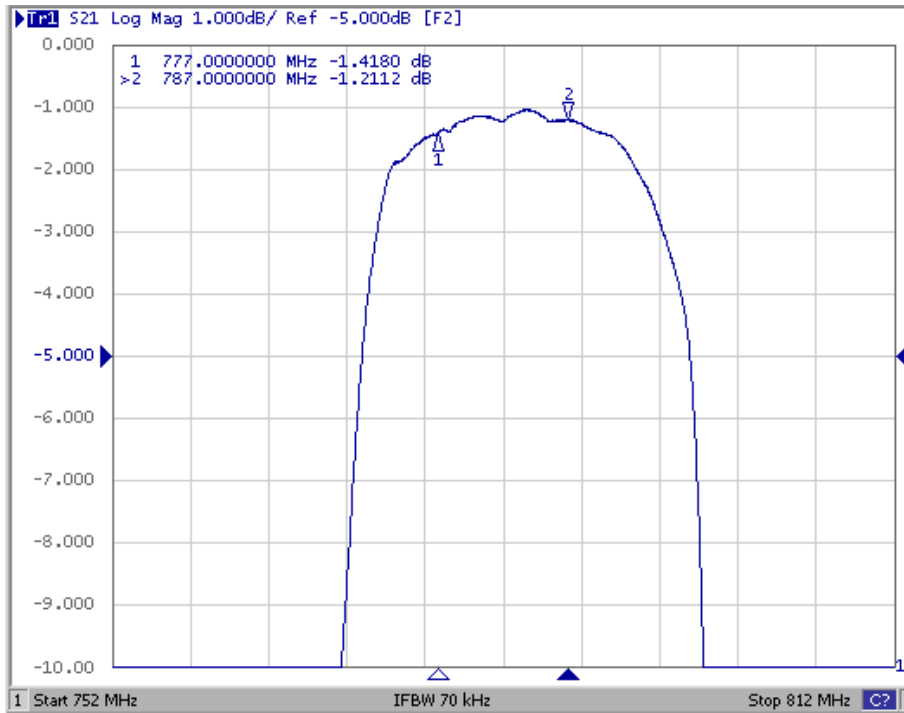
E. PCB FOOTPRINT:



SAW Filter 782MHz
Part No: MP02502

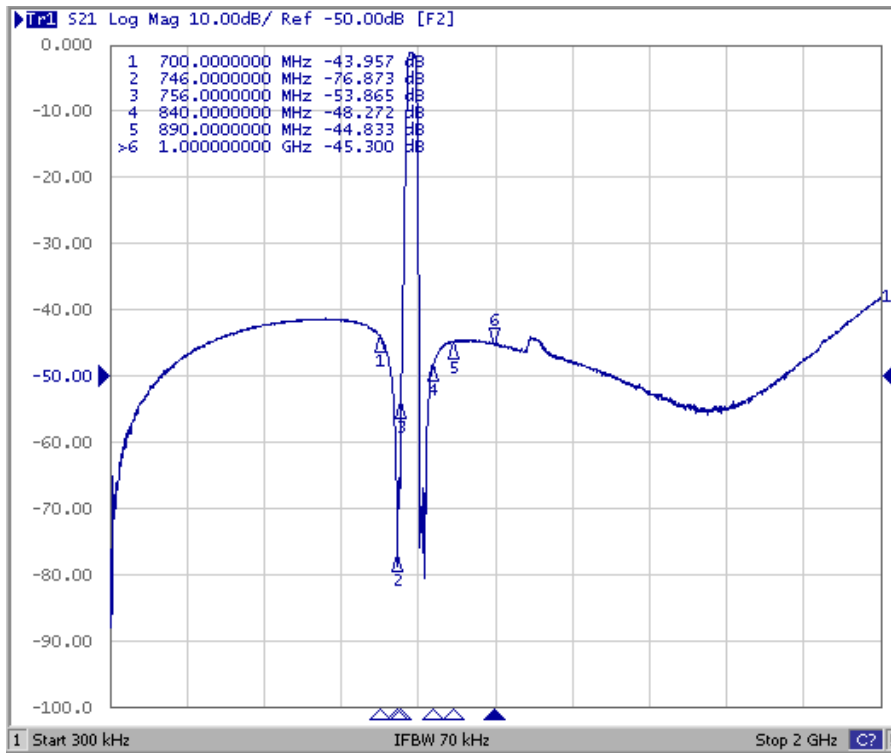
Model: TA1152A
REV. NO: 1

F. FREQUENCY CHARACTERISTICS:



SAW Filter 782MHz
Part No: MP02502

Model: TA1152A
REV. NO: 1

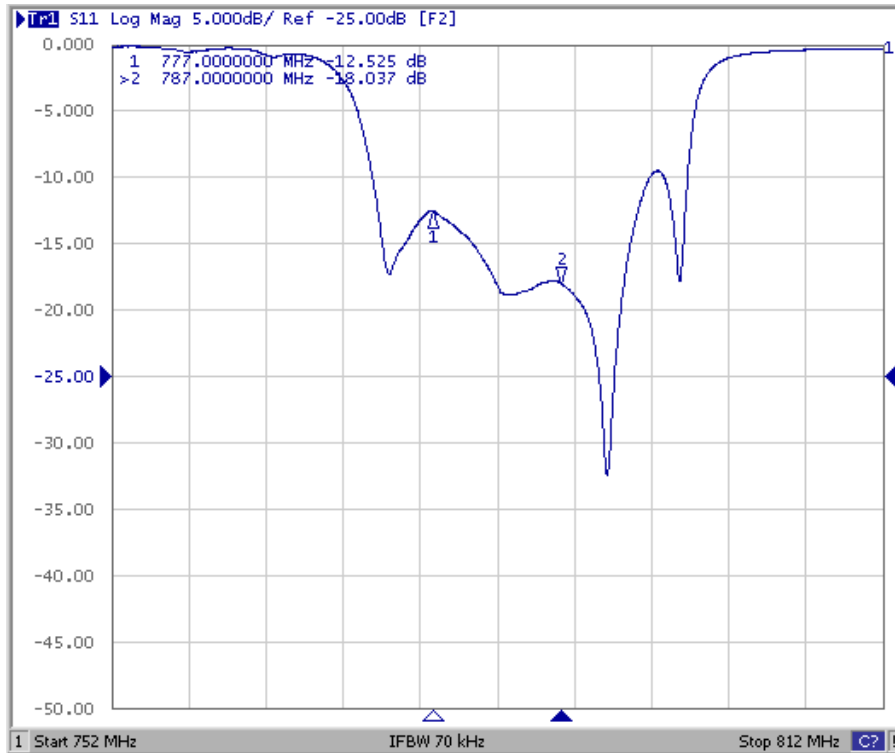


SAW Filter 782MHz
Part No: MP02502

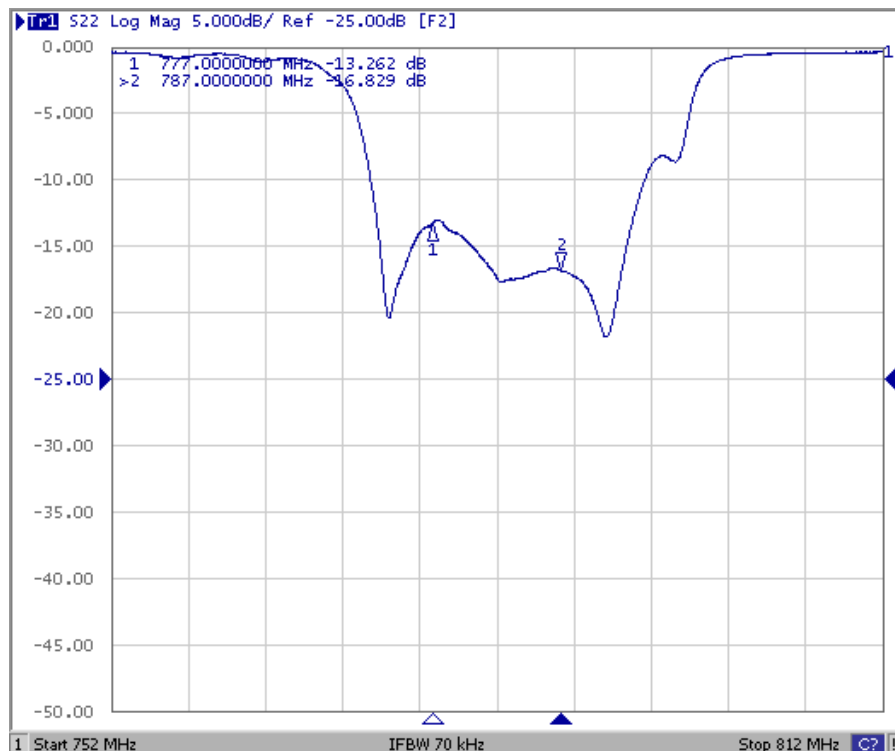
Model: TA1152A
REV. NO: 1

Reflection Functions

S11



S22

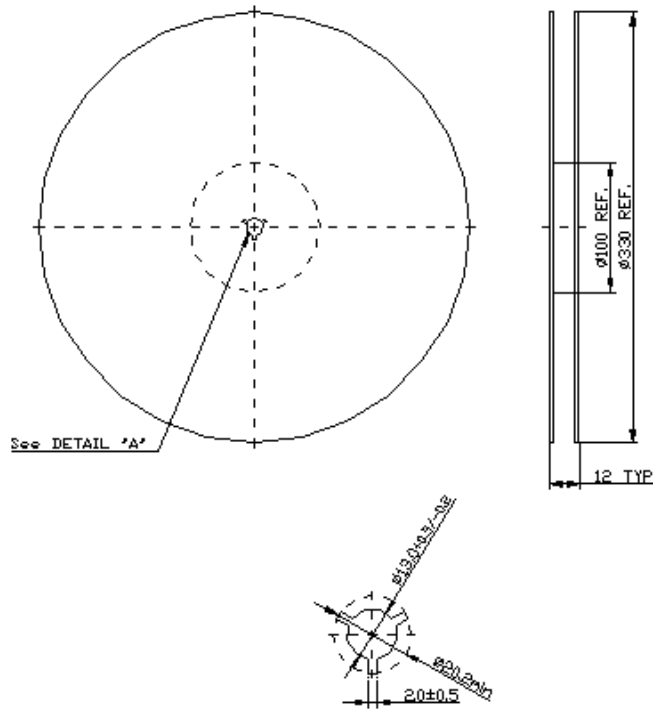


SAW Filter 782MHz
Part No: MP02502

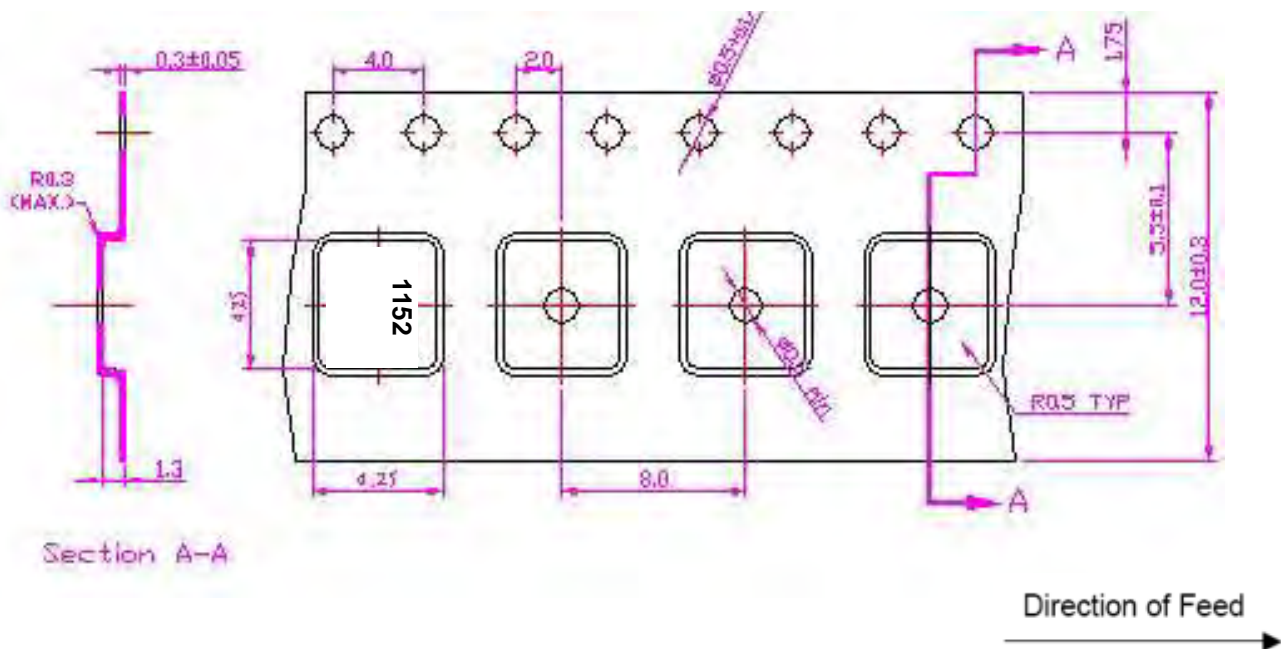
Model: TA1152A
REV. NO: 1

G. PACKING:

1. REEL DIMENSION



2. TAPE DIMENSION



SAW Filter 782MHz
Part No: MP02502

Model: TA1152A
REV. NO: 1

H. RECOMMENDED REFLOW PROFILE:

