

SAW Filter 2332.50MHz

Model: TA1657A

Part No: MP07698

Rev No: 3

A. MAXIMUM RATING:

Electrostatic Sensitive Device (ESD)

1. Input Power Level: 10dBm
2. DC Voltage: 3V
3. Operating Temperature: -40°C to +85°C (1)
4. Storage Temperature: -40°C to +85°C

B. ELECTRICAL CHARACTERISTICS:

1. AEC-Q200
2. Terminating source impedance: $Z_S = 50\Omega$ (Single)
3. Terminating load impedance: $Z_L = 50\Omega$ (Single)

Item	Unit	Min.	Typ.(2)	Max.	Note
Center Frequency F_c	MHz	-	2332.5	-	-
Max. Insertion Loss (2320 ~ 2345MHz) IL	dB	-	0.6	1.2	-
Pass band ripple (2320 ~ 2345MHz)	dB	-	0.25	0.8	-
Amplitude ripple (2320 ~ 2332.5MHz)	dB	-	0.1	0.6	-
Amplitude ripple (2332.5 ~ 2345MHz)	dB	-	0.1	0.6	-
S11 & S22 VSWR		-	1.2	2.0	
Attenuation					
D.C ~ 2175MHz	dB	23	26	-	-
2175 ~ 2227MHz	dB	20	35	-	-
2400 ~ 2570MHz	dB	20	33	-	-
2570 ~ 4200MHz	dB	20	28	-	-
Package size	mm	SMD 3.0x3.0			
Temp Coefficient	ppm/K	-36			

Notes:

1. In production, devices will be tested at room temperature to a guardbanded specification to ensure electrical compliance over temperature.
2. Typical values are based on average measurements at room temperature.

SAW Filter 2332.50MHz
Part No: MP07698

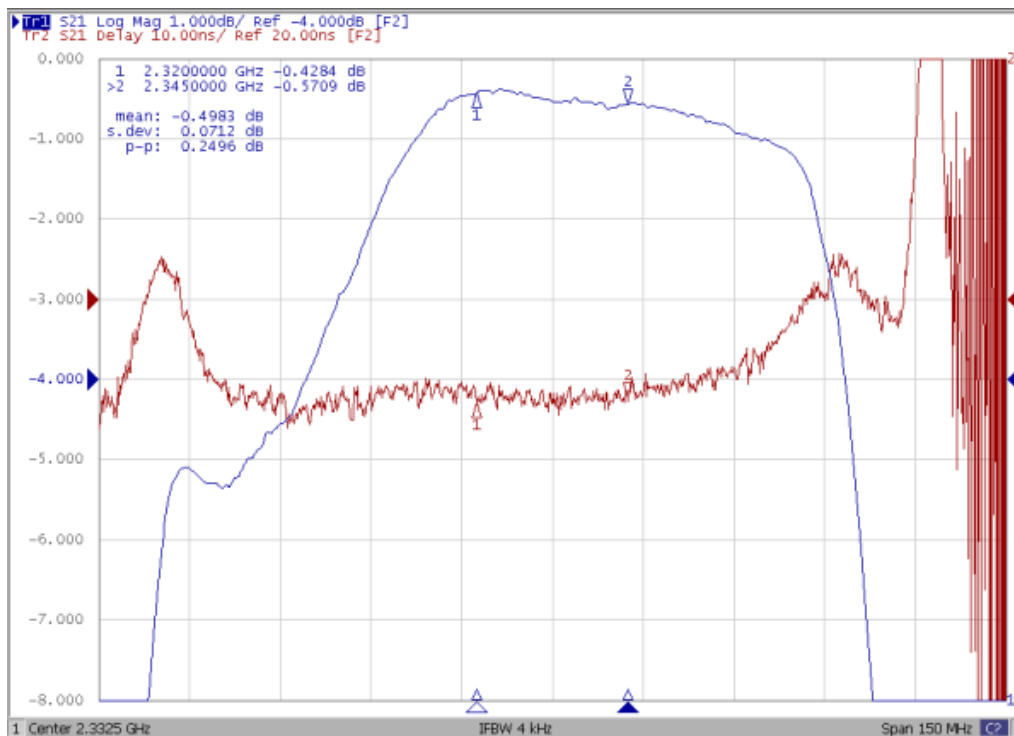
Model: TA1657A
Rev No: 3

C. FREQUENCY CHARACTERISTICS:

1. S21 Response: (span 600MHz)



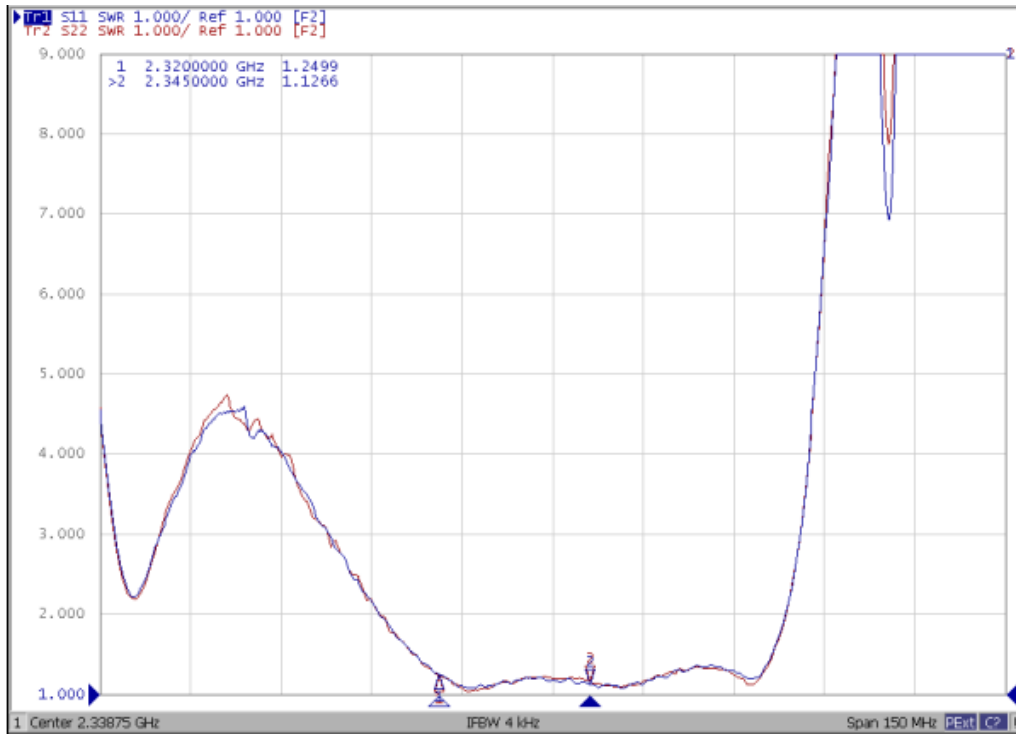
2. Pass band Response: (span 150MHz)



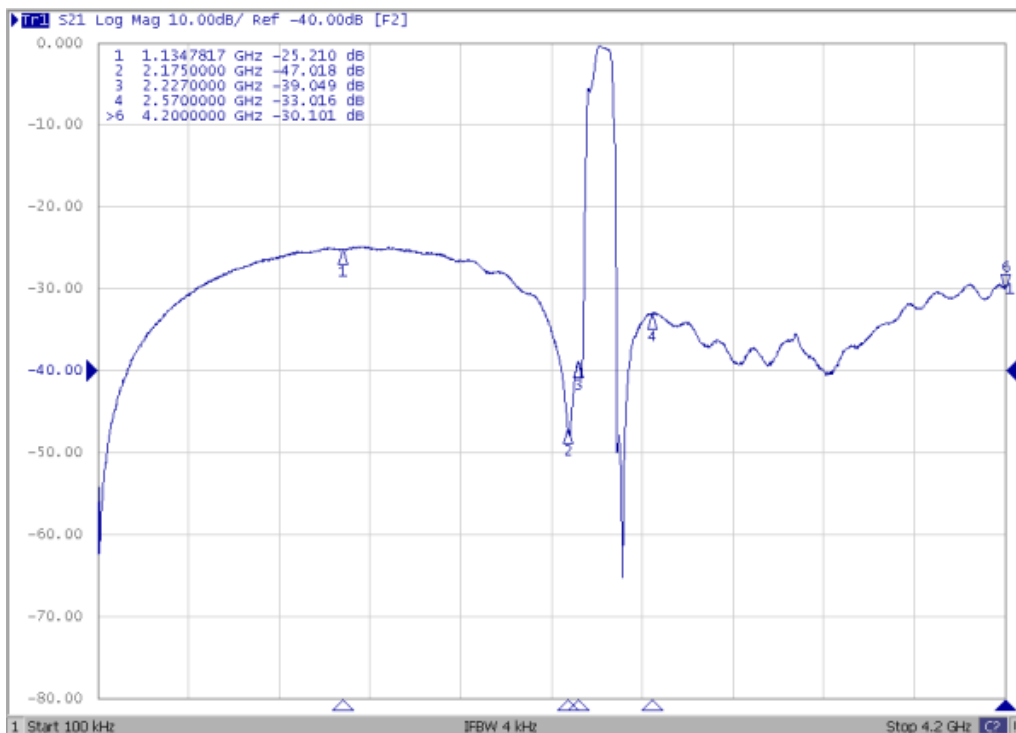
SAW Filter 2332.50MHz
Part No: MP07698

Model: TA1657A
Rev No: 3

3. S11 & S22 VSWR Response: (span 120MHz)



4. Wide band Response: (span 4.2GHz)

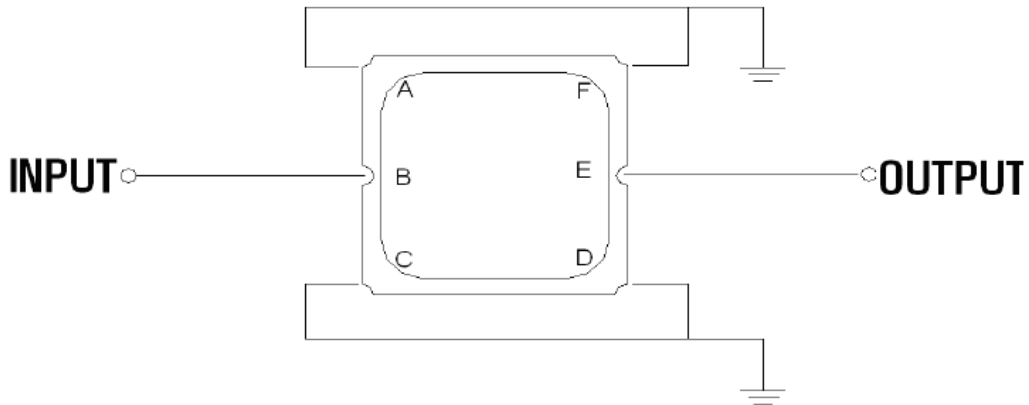


SAW Filter 2332.50MHz
Part No: MP07698

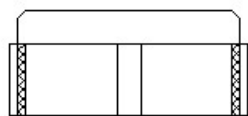
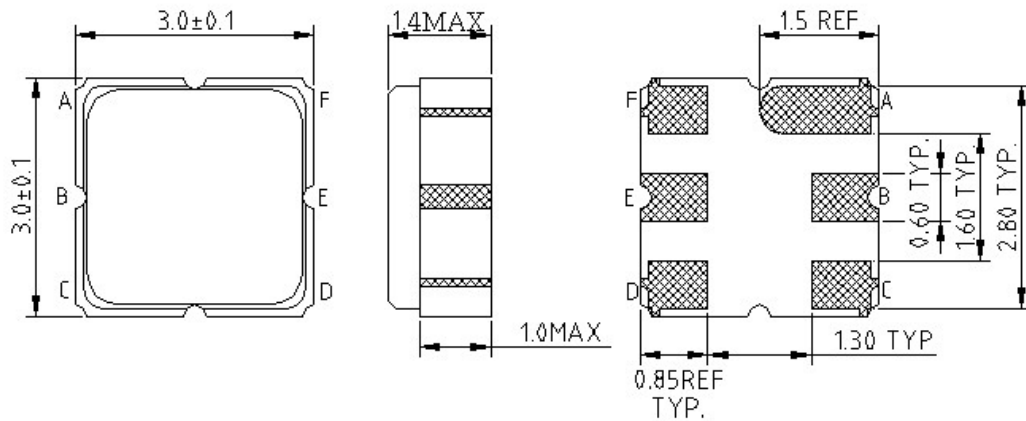
Model: TA1657A
Rev No: 3

D. MEASUREMENT CIRCUIT:

TESTING ENVIRONMENT

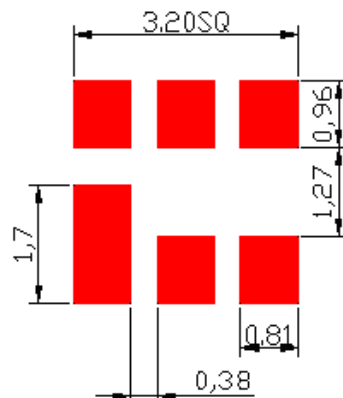


E. OUTLINE DRAWING:



B: Input
 E: Output
 A, C, D, F: Ground
 Unit: mm

F. PCB FOOTPRINT:

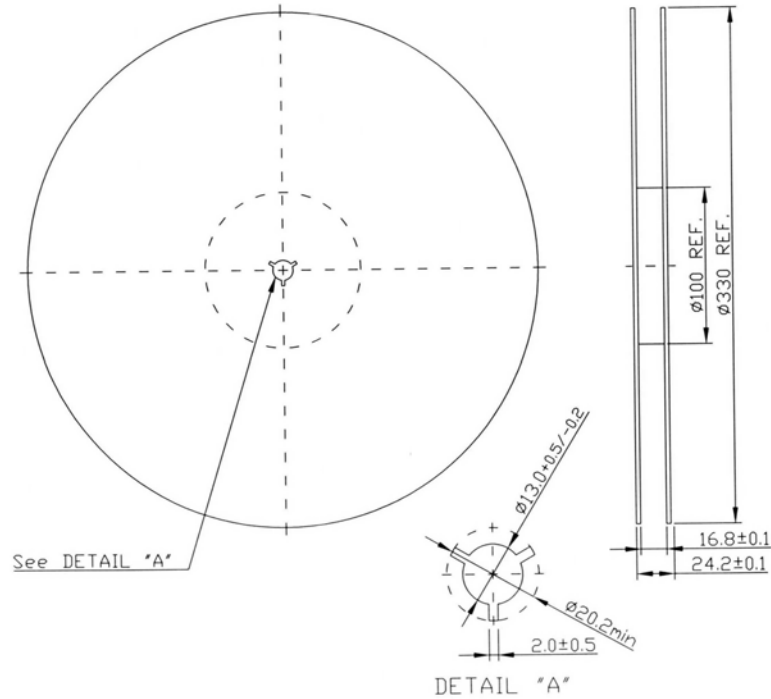


SAW Filter 2332.50MHz
Part No: MP07698

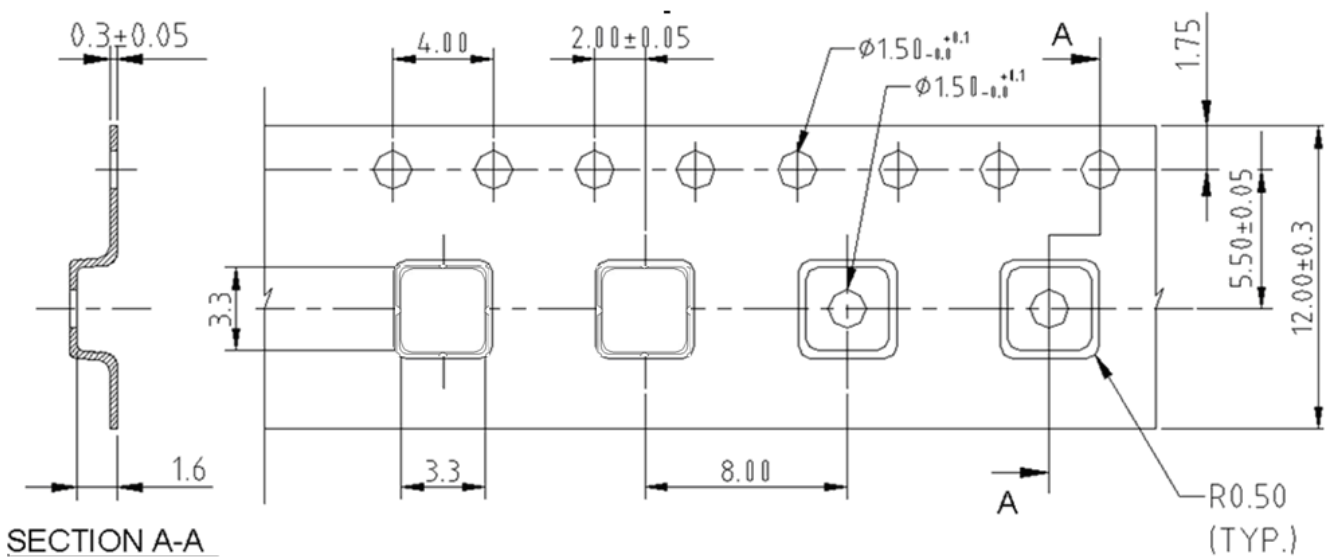
Model: TA1657A
Rev No: 3

G. PACKING:

1. Reel Dimension (Please refer to FR-75D10 for packing quantity)



2. Tape Dimension



SAW Filter 2332.50MHz
Part No: MP07698

Model: TA1657A
Rev No: 3

H. RECOMMENDED REFLOW PROFILE:

