

SAW Filter 830.0MHz
Part No: MP06147

Model: TB0880A
Rev No: 1

A. MAXIMUM RATING:

1. Operating temperature range: -40°C to 85°C
2. Storage temperature range: -40°C to 85°C
3. Input Power Level: 10dBm
4. Maximum DC Voltage: 10V

B. CHARACTERISTICS:

Ambient Temperature: 25°C

Characteristics	Min.	Typ.	Max.
Center frequency MHz	-	830	-
Maximum Insertion loss IL dB	-	24	25.8
1dB Band Width MHz	-	10.5	-
3dB Band Width MHz	-	11.3	-
40dB Band Width MHz	-	14.1	-
Passband Ripple at Fc ± 4.8MHz dB	-	1.0	1.2
Group Delay in Fc ± 4.8MHz nsec	-	50	110
Absolute group Delay usec	-	1.0	-
Attenuation (Reference level from minimum Insertion loss)			
Fc ± 7.5MHzdB	36	42	-
Single Input Impedance Ω	-	50	-
Single Output Impedance Ω	-	50	-
Temperature Coefficient ppm/°C ²	-	-0.036	-

SAW Filter 830.0MHz
Part No: MP06147

Model: TB0880A
Rev No: 1

C. FREQUENCY RESPONSES:

1. Wide band response

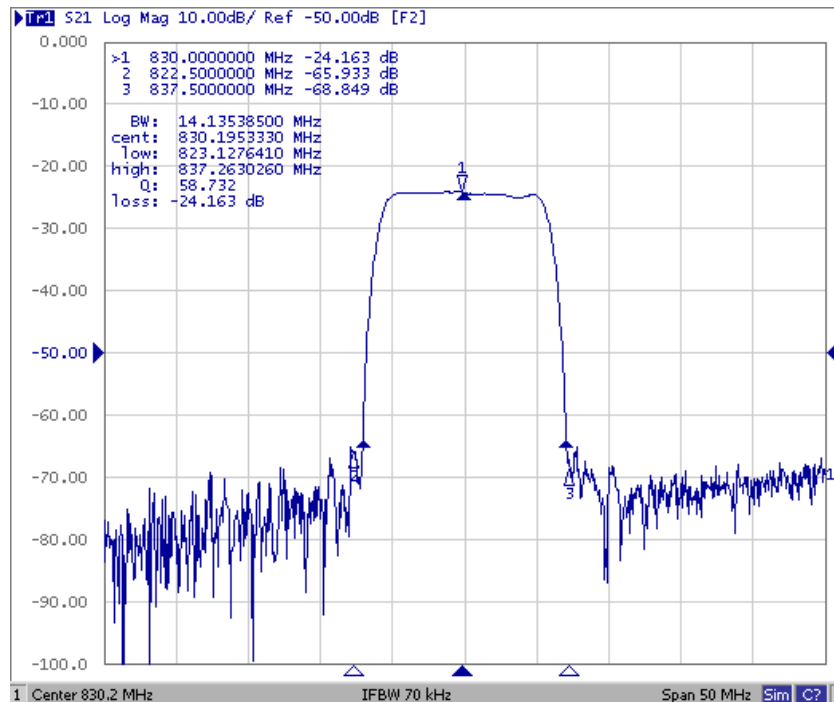


Fig. 1: Horizontal: 5MHz / Div, Vertical: 10dB / Div

2. Pass band & Group Delay response

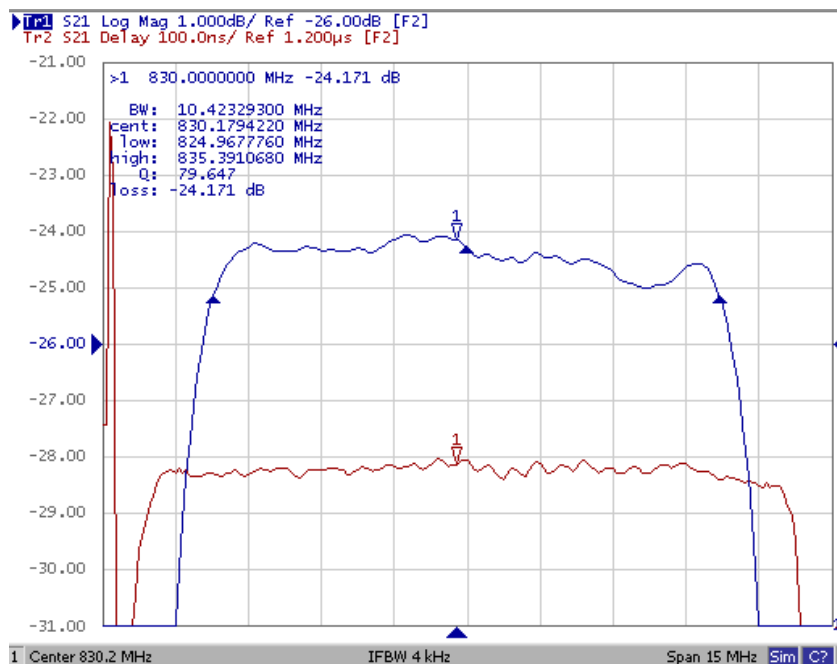
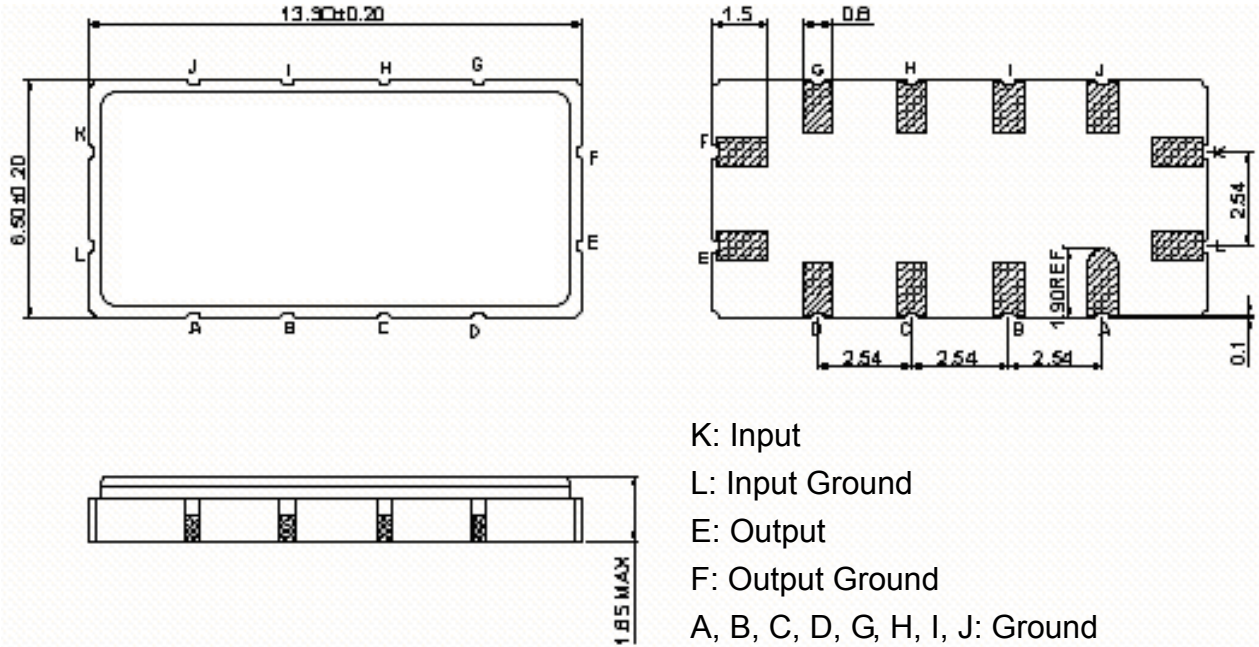


Fig. 2: Horizontal: 1.5MHz / Div, Vertical: 1dB / Div, Vertical: 100ns / Div

SAW Filter 830.0MHz
Part No: MP06147

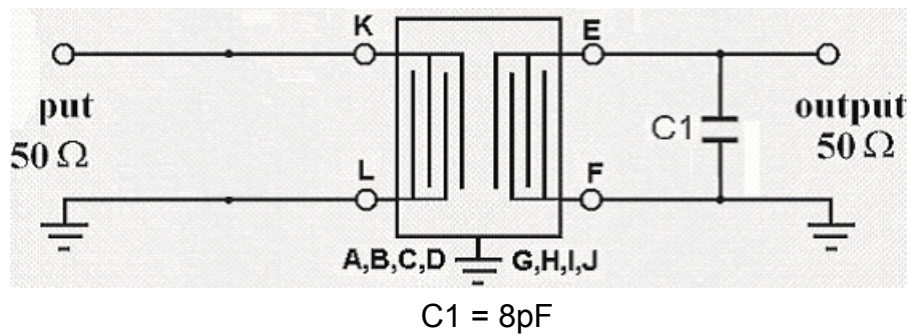
Model: TB0880A
Rev No: 1

D. OUTLINE DRAWING:

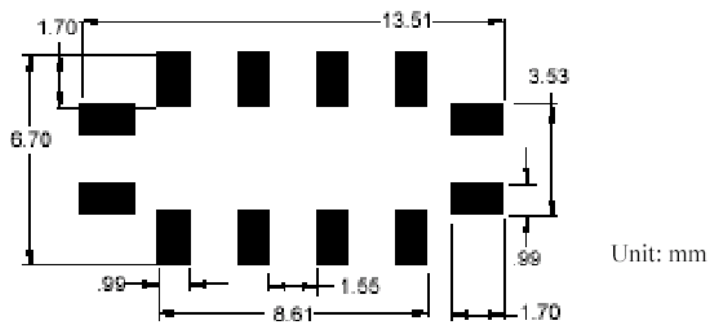


K: Input
 L: Input Ground
 E: Output
 F: Output Ground
 A, B, C, D, G, H, I, J: Ground
 Unit: mm

E. MATCHING CIRCUIT:



F. PCB FOOTPRINT:



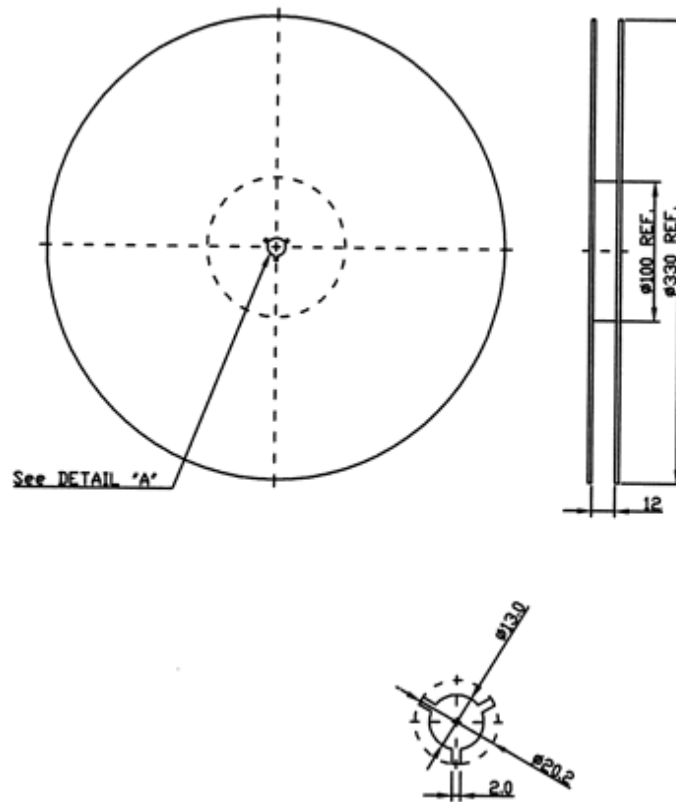
Unit: mm

SAW Filter 830.0MHz
Part No: MP06147

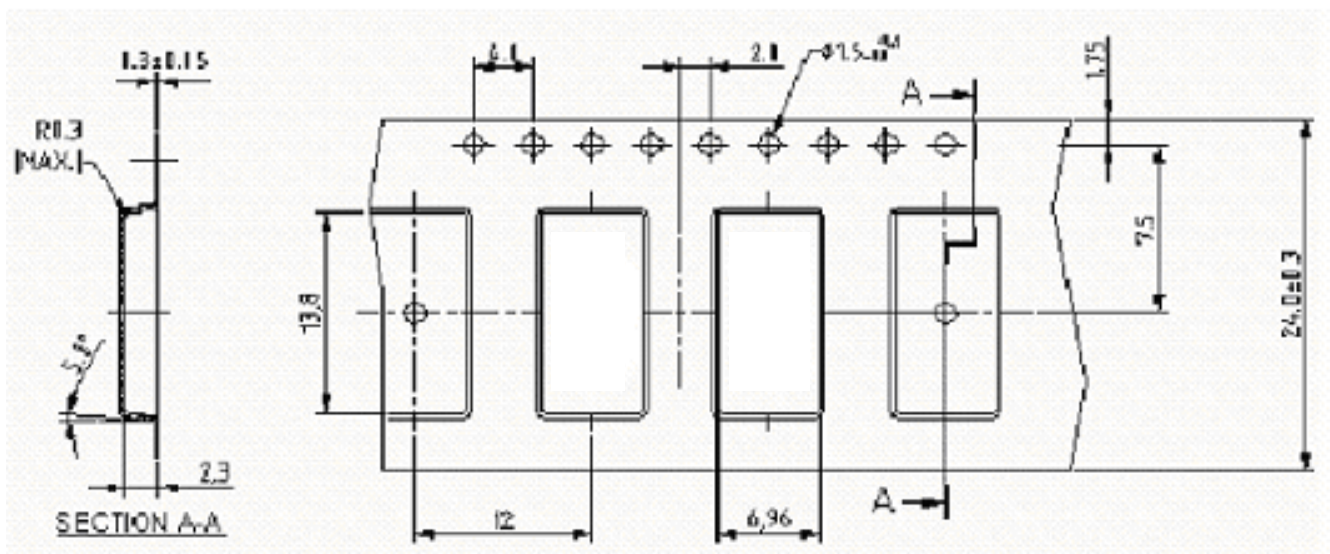
Model: TB0880A
Rev No: 1

G. PACKING:

1. Reel Dimension



2. Tape Dimension



SAW Filter 830.0MHz
Part No: MP06147

Model: TB0880A
Rev No: 1

H. RECOMMENDED REFLOW PROFILE:

