

SAW Filter: 763.0MHz
Part No: MP05489

Model: TA1243A
Rev No: 2

A. MAXIMUM RATING:

1. Input Power Level: 5dBm
2. DC Voltage: 3V
3. Operating Temperature: -10°C to +55°C
4. Storage Temperature: -20°C to +85°C

B. ELECTRICAL CHARACTERISTICS:

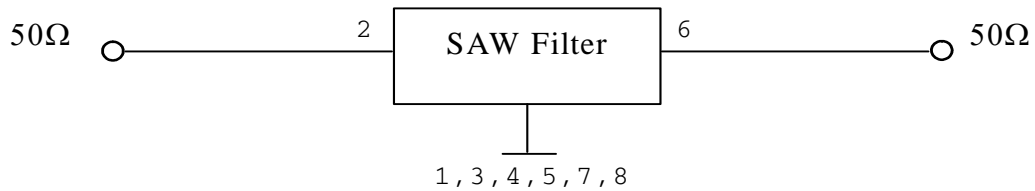
Item	Unit	Min.	Typ.	Max.
Center Frequency Fc	MHz	-	763	-
Insertion Loss (758 ~ 768MHz)	dB	-	1.4	3
Amplitude Ripple (758 ~ 768MHz)	dB	-	0.4	1.5
I/O Return Loss (758 ~ 768MHz)	dB	10	16	-
Attenuation (Reference level from 0dB)				
0 ~ 708MHz	dB	30	40	-
788 ~ 798MHz	dB	52	59	-
873 ~ 973MHz	dB	40	42	-
1200 ~ 2000MHz	dB	25	45	-

SAW Filter: 763.0MHz
Part No: MP05489

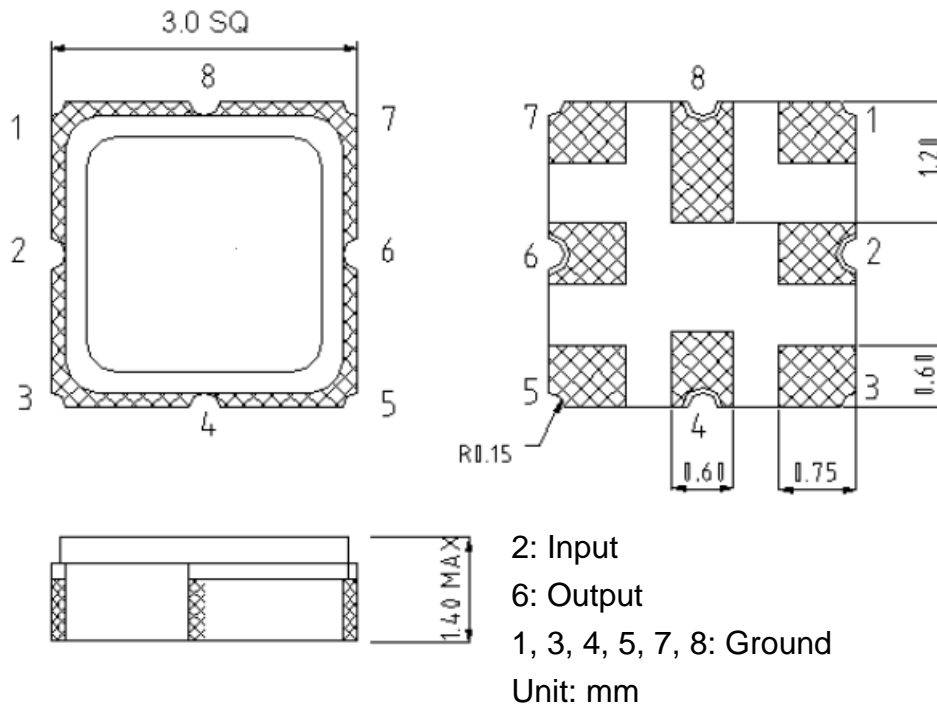
Model: TA1243A
Rev No: 2

C. MEASUREMENT CIRCUIT:

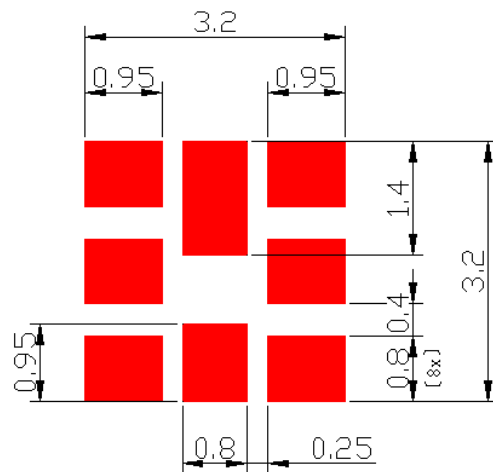
HP Network analyzer



D. OUTLINE DRAWING:



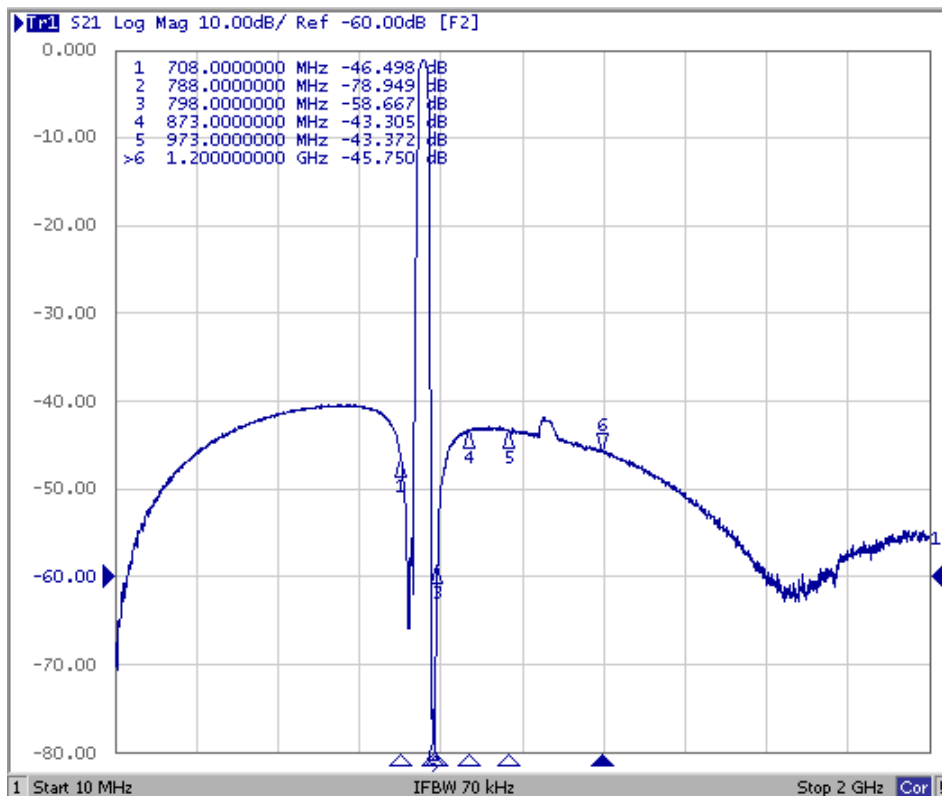
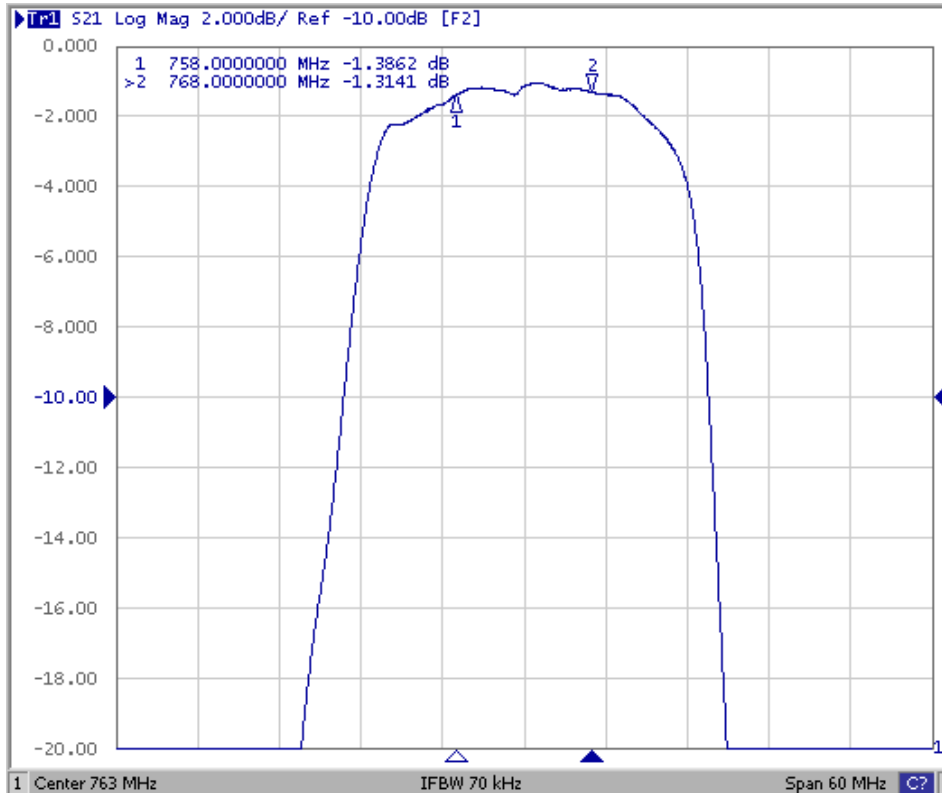
E. PCB FOOTPRINT:



SAW Filter: 763.0MHz
Part No: MP05489

Model: TA1243A
Rev No: 2

F. FREQUENCY CHARACTERISTICS:

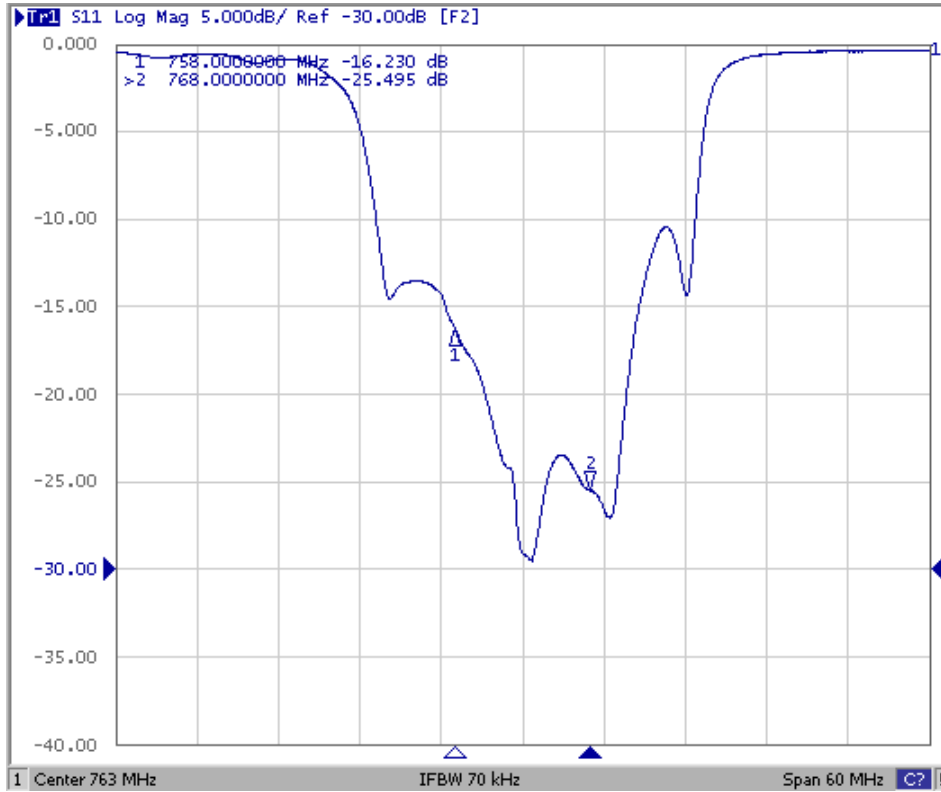


SAW Filter: 763.0MHz
Part No: MP05489

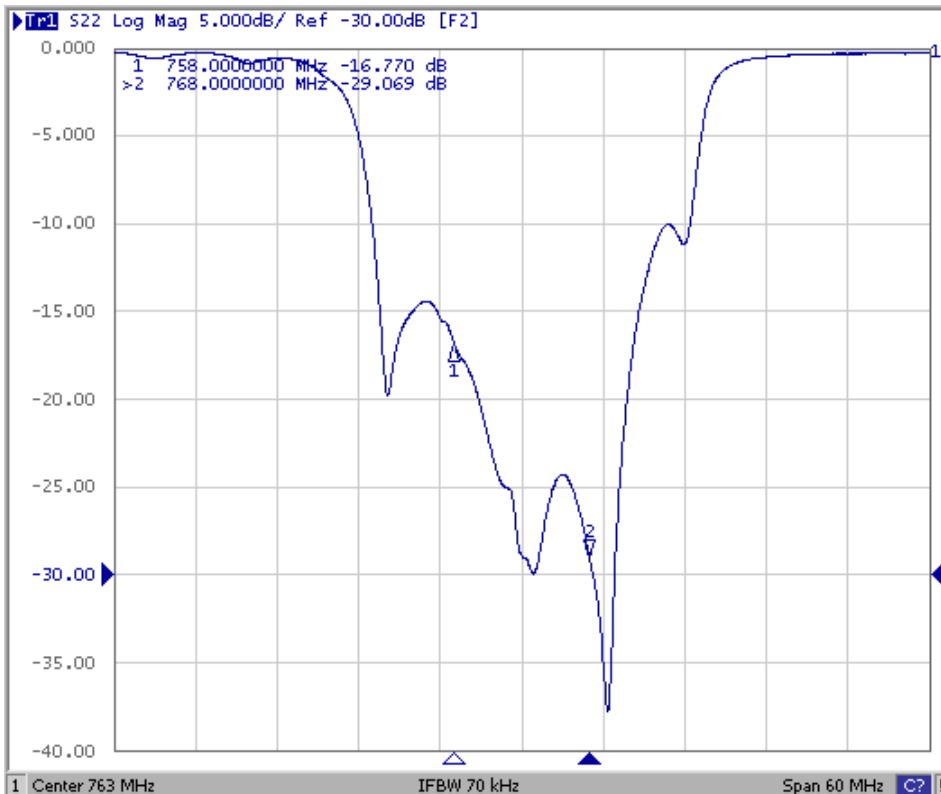
Model: TA1243A
Rev No: 2

Reflection Functions

S11



S22

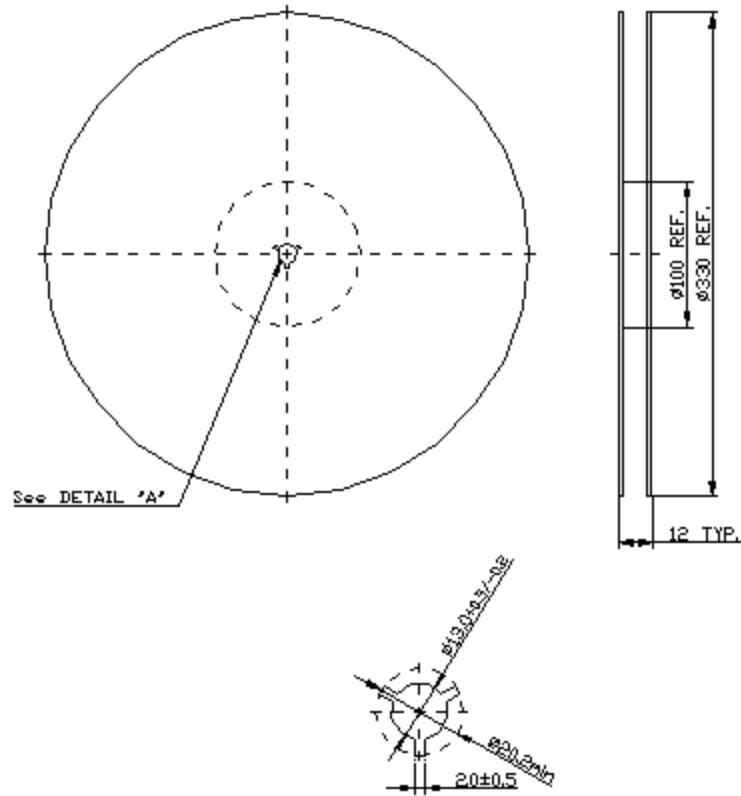


SAW Filter: 763.0MHz
Part No: MP05489

Model: TA1243A
Rev No: 2

G. PACKING:

1. Reel Dimension



2. Tape Dimension

