

**SAW Filter 2492.0MHz**  
**Part No: MP04812**

**Model: TA1442A**  
**Rev No:1**

**A. MAXIMUM RATING:**

Electrostatic Sensitive Device (ESD)

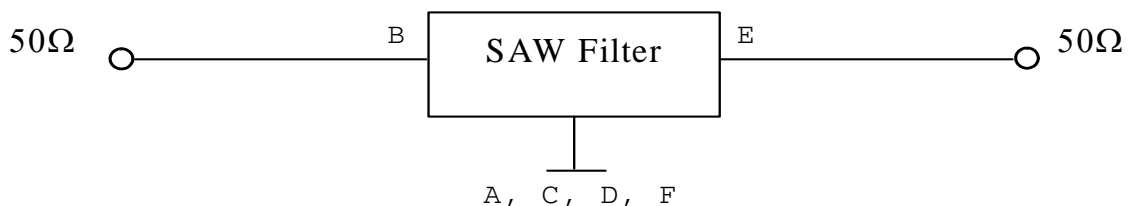
1. Input Power Level: 10dBm
2. DC voltage: 3V
3. Operating Temperature: -40°C to +85°C
4. Storage Temperature: -40°C to +85°C

**B. ELECTRICAL CHARACTERISTICS:**

Item	Unit	Min.	Typ.	Max.
Center frequency Fc	MHz	-	2492	-
Insertion Loss (2489.5 ~ 2494.5MHz) IL	dB	-	1.55	2.0
Amplitude Ripple (2489.5 ~ 2494.5MHz)	dB	-	0.2	1.0
VSWR (2489.5 ~ 2494.5MHz)	-	-	1.2	1.8
Attenuation (Reference level from 0dB)				
DC ~ 2390MHz	dB	33	40	-
2575 ~ 3000MHz	dB	43	50	-
Temperature coefficient of frequency TCf	ppm/°C	-	-36	-

**C. MEASUREMENT CIRCUIT:**

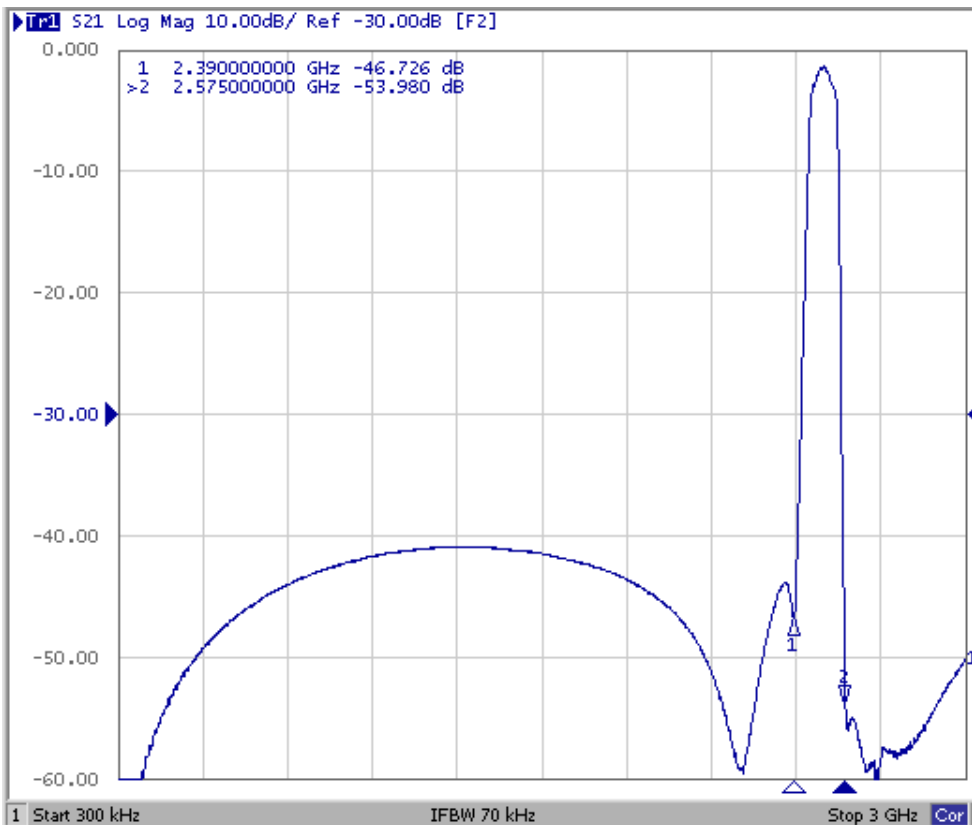
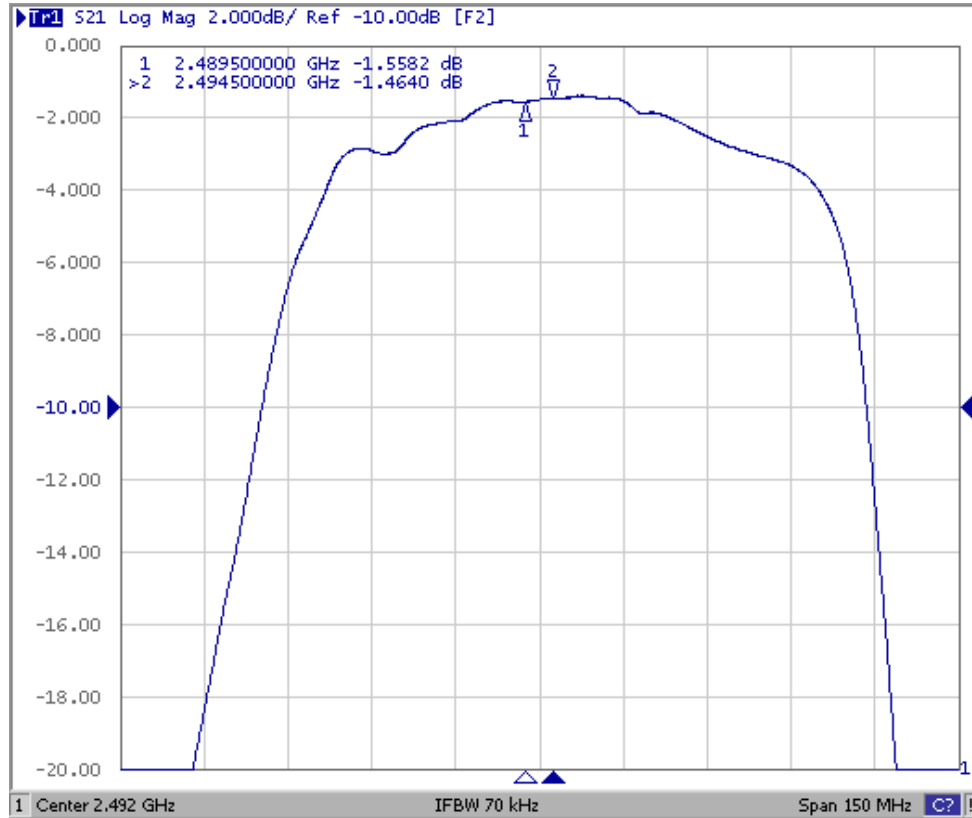
HP Network analyzer



**SAW Filter 2492.0MHz**  
**Part No: MP04812**

**Model: TA1442A**  
**Rev No:1**

**D. FREQUENCY CHARACTERISTICS:**

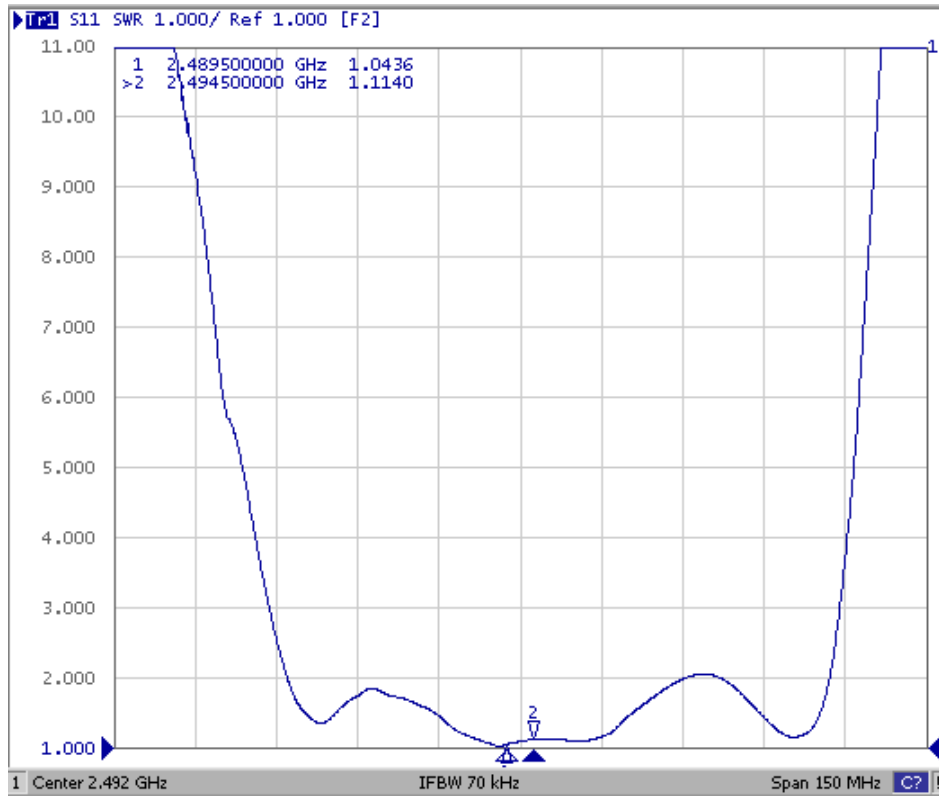


**SAW Filter 2492.0MHz**  
**Part No: MP04812**

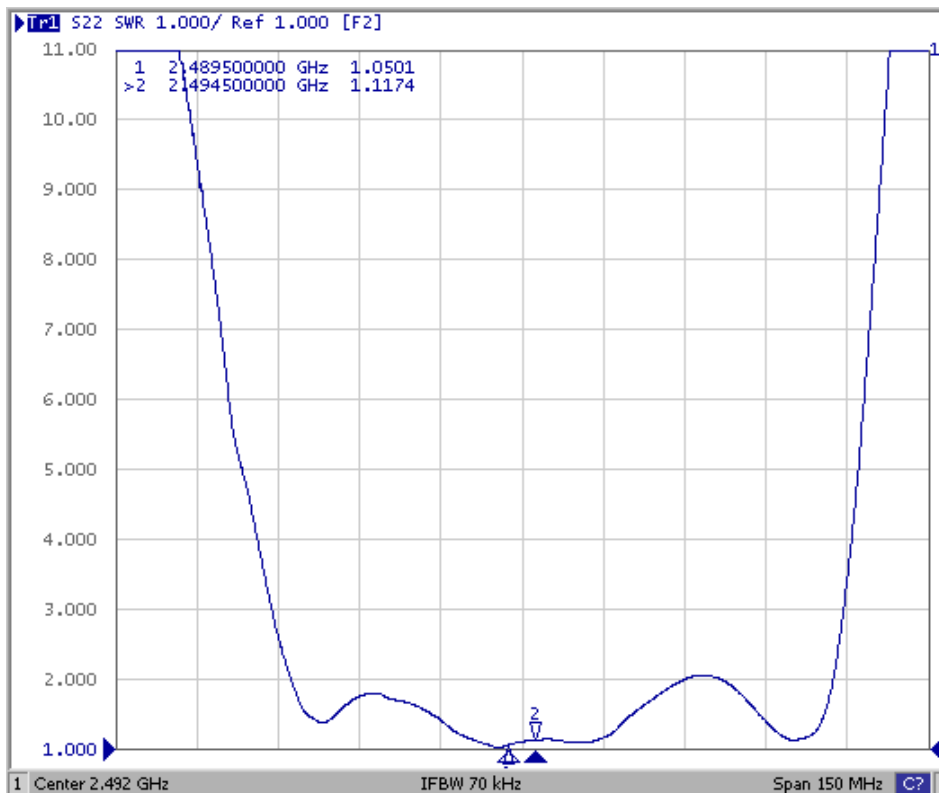
**Model: TA1442A**  
**Rev No:1**

Reflection Functions

S11



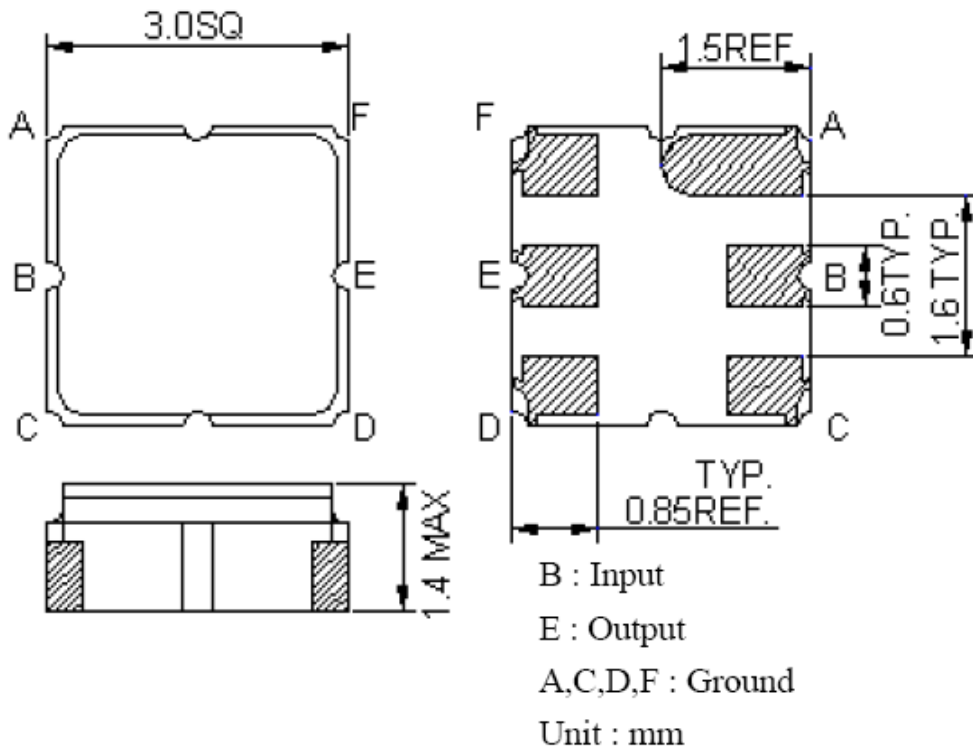
S22



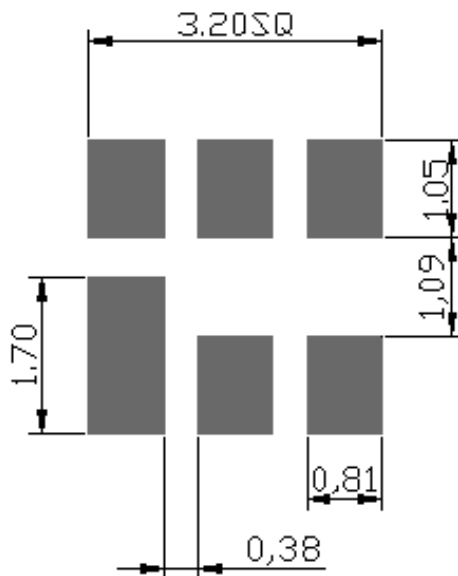
**SAW Filter 2492.0MHz**  
**Part No: MP04812**

**Model: TA1442A**  
**Rev No:1**

**E. OUTLINE DRAWING:**



**F. PCB FOOTPRINT:**

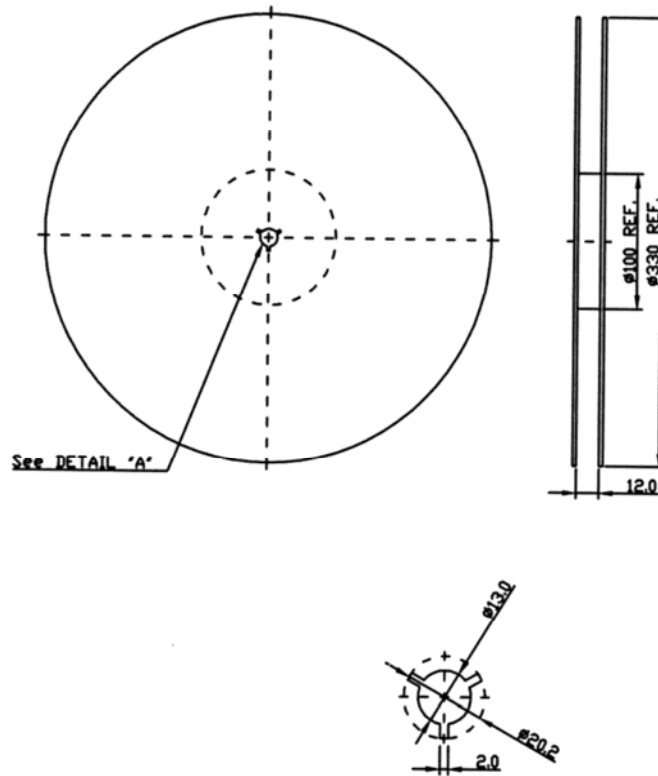


**SAW Filter 2492.0MHz**  
**Part No: MP04812**

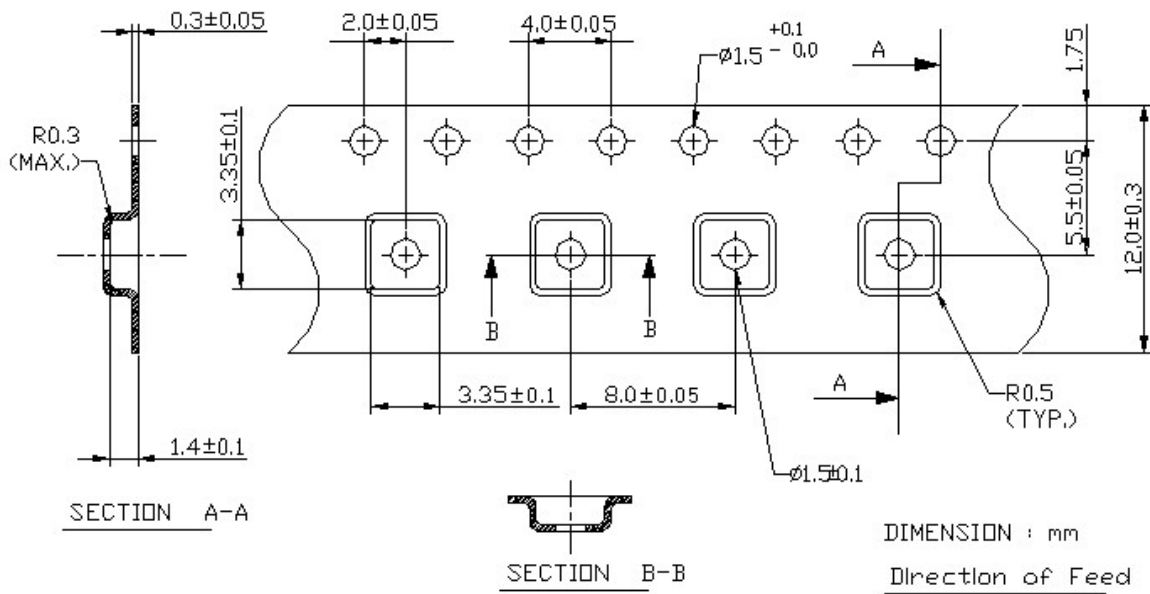
**Model: TA1442A**  
**Rev No:1**

**G. PACKING:**

1. Reel Dimension



2. Tape Dimension



**SAW Filter 2492.0MHz**  
**Part No: MP04812**

**Model: TA1442A**  
**Rev No:1**

**H. RECOMMENDED REFLOW PROFILE:**

