

SAW Filter 947.50MHz
Part No: MP04350

Model: TA0991A
Rev No: 1

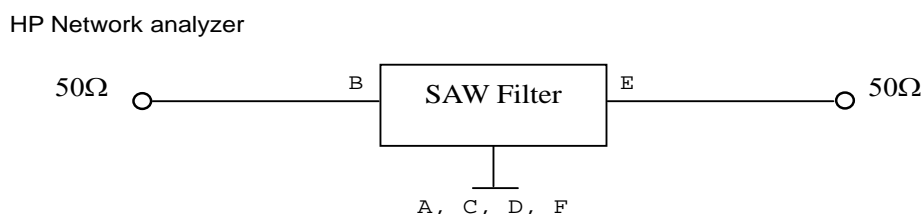
A. MAXIMUM RATING:

1. Input Power Level: +20dBm
2. DC Voltage: 3V
3. Operating Temperature: -30°C to +85°C
4. Storage Temperature: -40°C to +85°C

B. ELECTRICAL CHARACTERISTICS:

Item	Unit	Min.	Typ.	Max.	Note
Center Frequency Fc	MHz	-	947.5	-	-
Insertion Loss (935 ~ 960MHz) IL	dB	-	2.45	3.3	-
Amplitude Ripple (935 ~ 960MHz)	dB	-	0.5	1.3	-
VSWR (935~960MHz)		-	1.7	2.2	-
Attenuation (Reference level from 0dB)					
DC ~ 871MHz	dB	50	54	-	-
890 ~ 915MHz	dB	30	47	-	-
980 ~ 1025MHz	dB	10	25	-	-
1025 ~ 2000MHz	dB	45	52	-	-
2000 ~ 3000MHz	dB	20	31	-	-

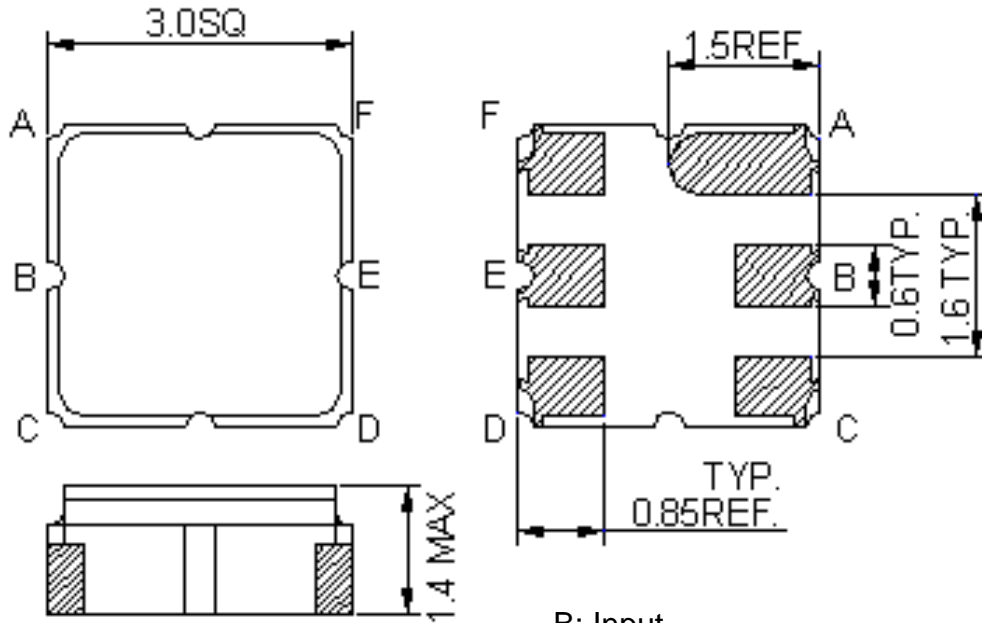
C. MEASUREMENT CIRCUIT:



SAW Filter 947.50MHz
Part No: MP04350

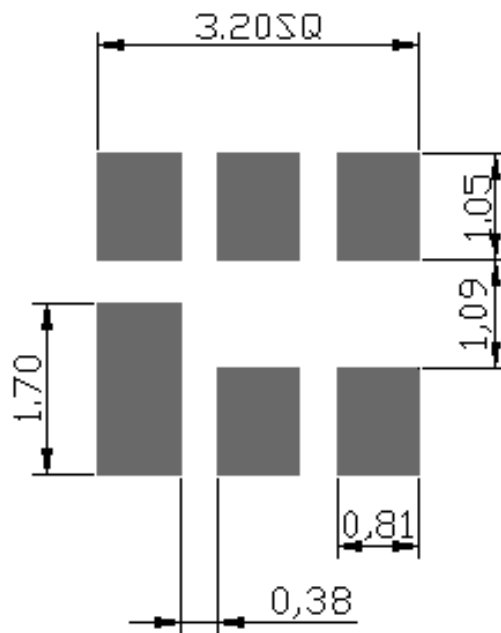
Model: TA0991A
Rev No: 1

D. OUTLINE DRAWING:



B: Input
 E: Output
 A, C, D, F: Ground
 Unit: mm

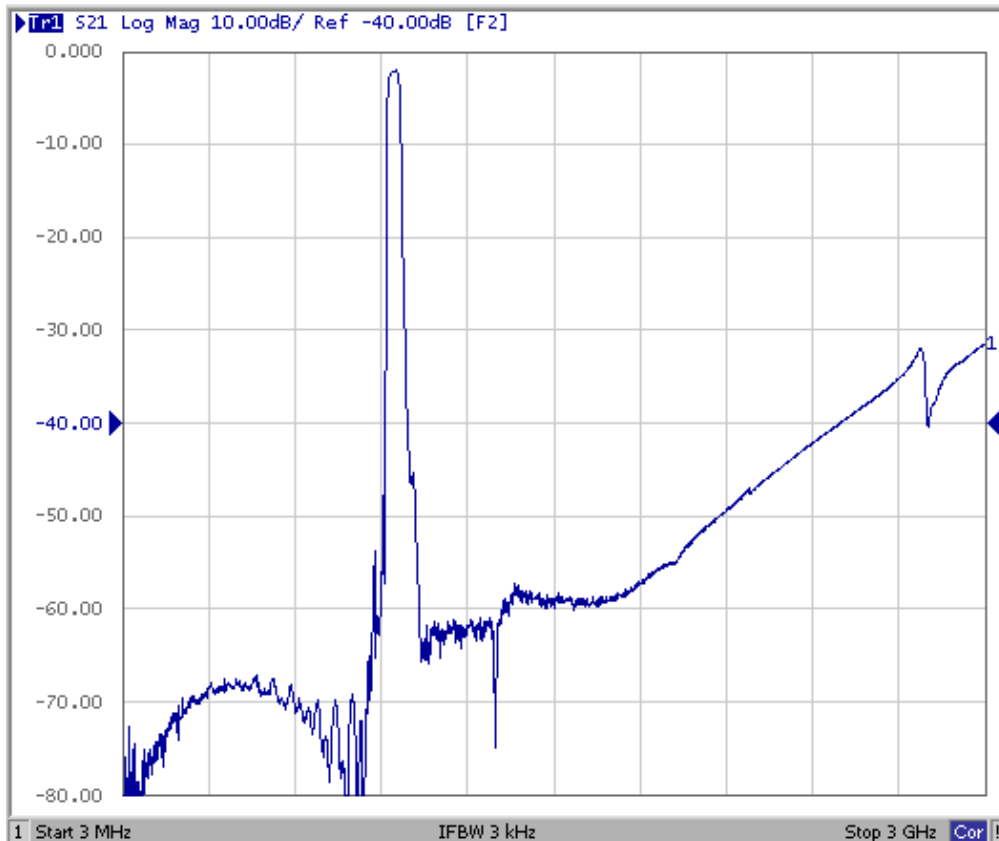
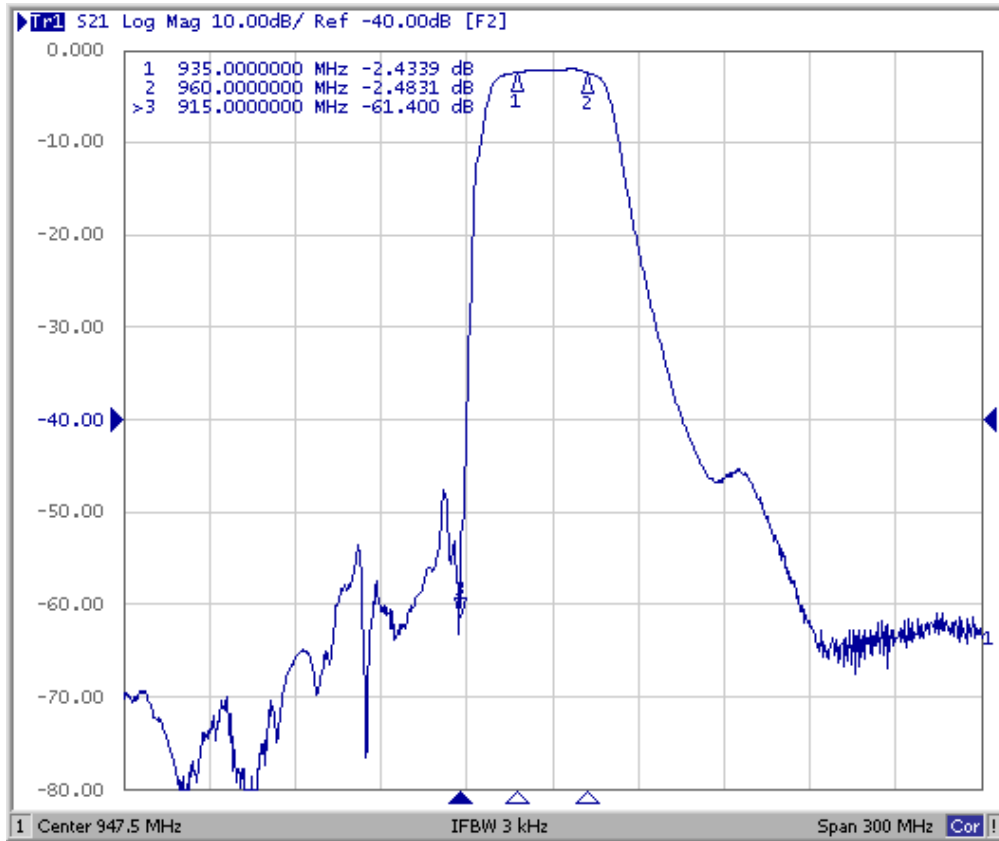
E. PCB FOOTPRINT:



SAW Filter 947.50MHz
Part No: MP04350

Model: TA0991A
Rev No: 1

F. FREQUENCY CHARACTERISTICS:

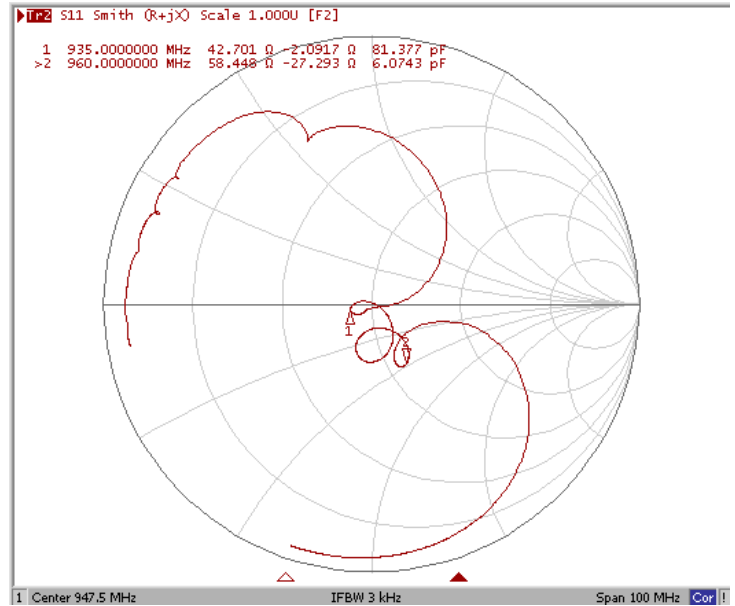
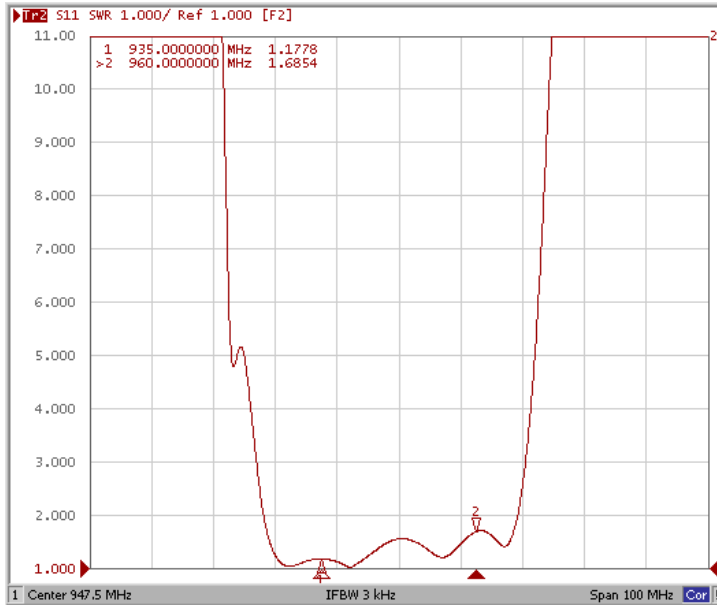


SAW Filter 947.50MHz
Part No: MP04350

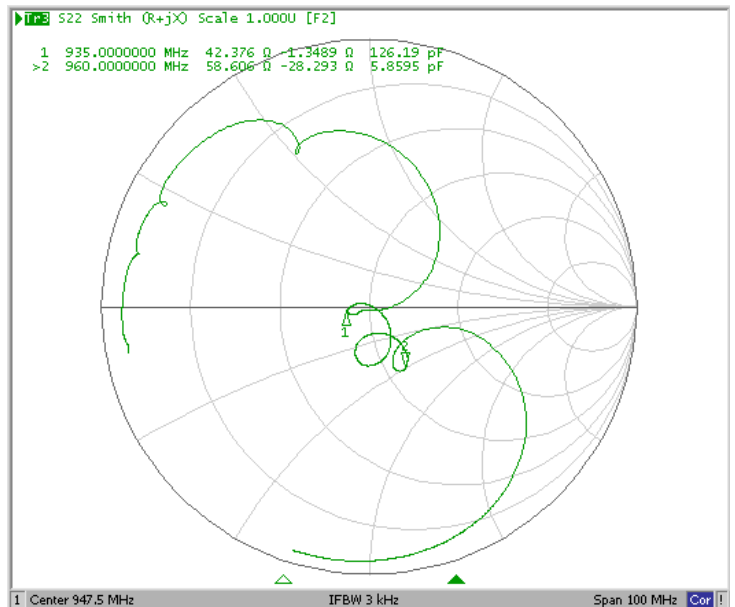
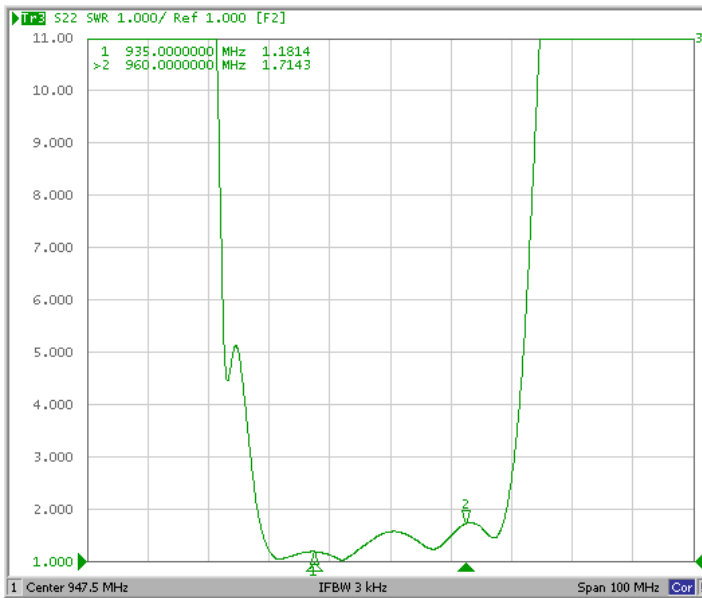
Model: TA0991A
Rev No: 1

Reflection Functions

S11



S22



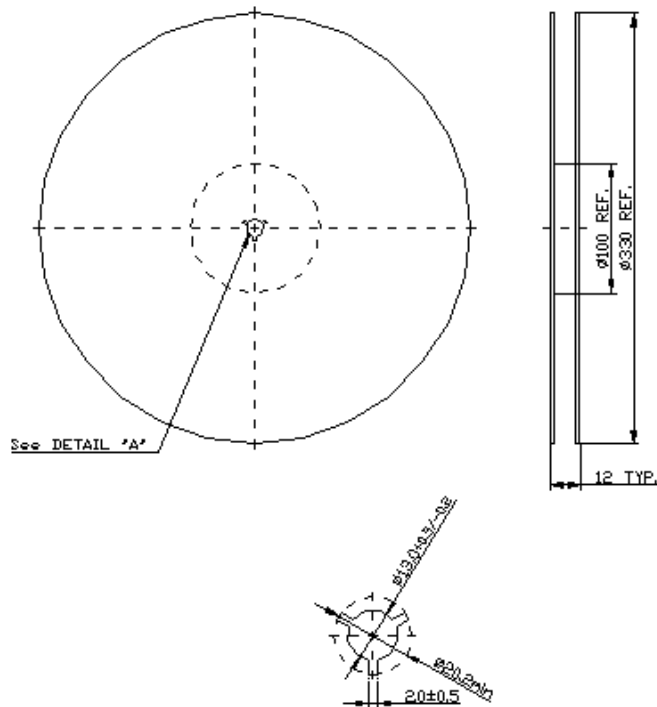
SAW Filter 947.50MHz
Part No: MP04350

Model: TA0991A
Rev No: 1

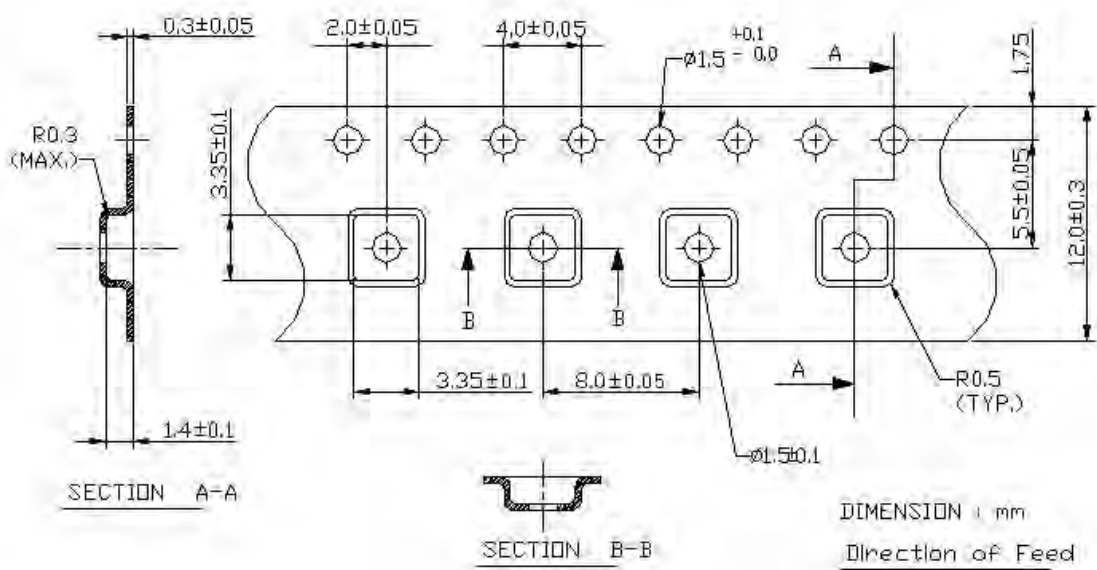
G. PACKING:

1. Reel Dimension

(Reel Count: 7" = 1000; 13" = 3000)



2. Tape Dimension



SAW Filter 947.50MHz
Part No: MP04350

Model: TA0991A
Rev No: 1

H. RECOMMENDED REFLOW PROFILE:

