

SAW Filter 696.0MHz
Part No: MP04215

Model: TA0985A
Rev No: 1

A. MAXIMUM RATING:

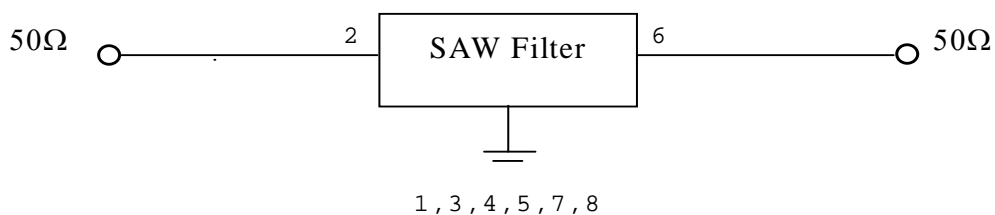
1. Input Power Level: 10dBm
2. DC Voltage: 3V
3. Operating Temperature: -20°C to +80°C
4. Storage Temperature: -40°C to +85°C

B. ELECTRICAL CHARACTERISTICS:

Item	Unit	Min.	Typ.	Max.
Center frequency Fc	MHz	-	696	-
Insertion Loss (693 ~ 699MHz) IL	dB	-	2.4	4.5
Amplitude Ripple (693 ~ 699MHz)	dB	-	0.2	2
VSWR (693 ~ 699MHz)	-		1.5	2.2
2dB Bandwidth	MHz	6	10	
Attenuation:(Reference level from 0dB)				
50 ~ 645MHz	dB	50	58	-
645 ~ 677MHz	dB	40	52	-
715 ~ 745MHz	dB	35	42	-
745 ~ 950MHz	dB	50	53	-
Source impedance Z _S	Ω	-	50	-
Load impedance Z _L	Ω	-	50	-

C. MEASUREMENT CIRCUIT:

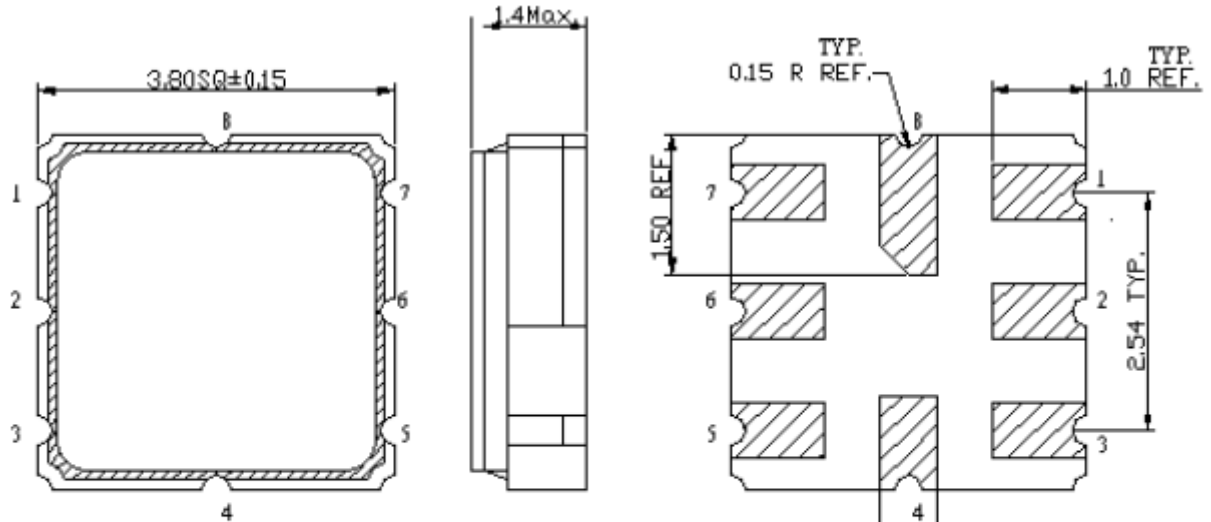
HP Network analyzer



SAW Filter 696.0MHz
Part No: MP04215

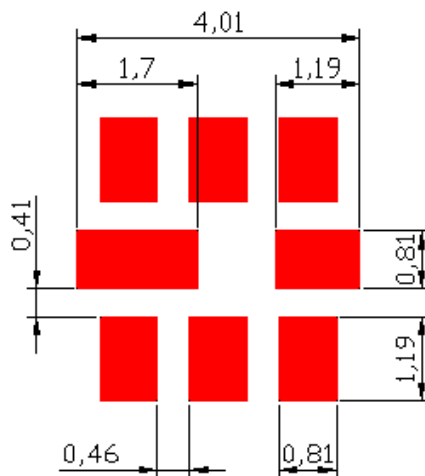
Model: TA0985A
Rev No: 1

D. OUTLINE DRAWING:



2 : Input
 6 : Output
 1,3,4,5,7,8: Ground

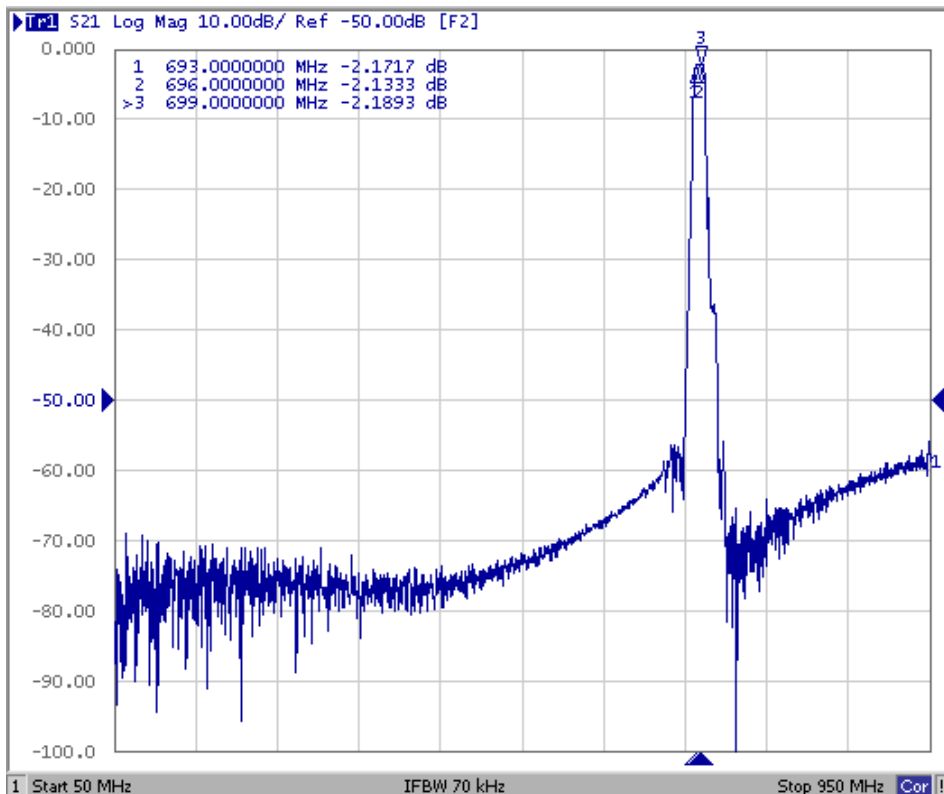
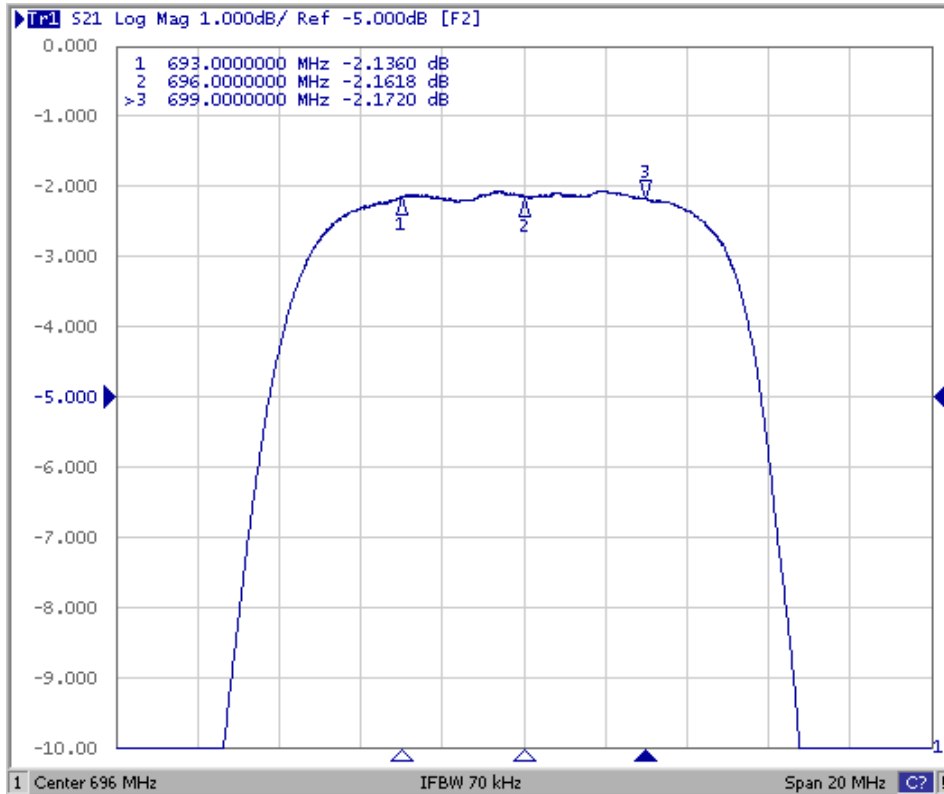
E. PCB FOOTPRINT:



SAW Filter 696.0MHz
Part No: MP04215

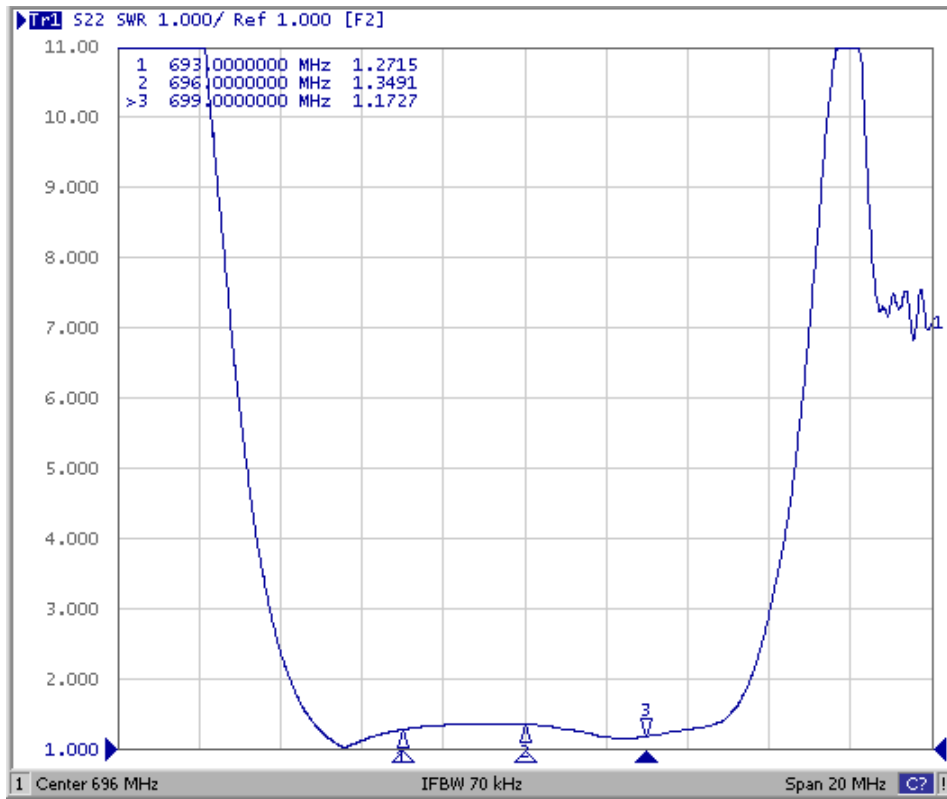
Model: TA0985A
Rev No: 1

F. FREQUENCY CHARACTERISTICS:



SAW Filter 696.0MHz
Part No: MP04215

Model: TA0985A
Rev No: 1



SAW Filter 696.0MHz
Part No: MP04215

Model: TA0985A
Rev No: 1

H. RECOMMENDED REFLOW PROFILE:

