

SAW Filter 55.0MHz
Part No: MP04109

Model: TB0887A
Rev No:1

A. MAXIMUM RATING:

1. Operating temperature range: -40°C to 85°C
2. Storage temperature range: -40°C to 85°C
3. Input Power Level : 10 dBm
4. Maximum DC Voltage : 10V

B. CHARACTERISTICS:

1. Ambient Temperature: 25°C

Item	Unit	Min.	Typical	Max.
Center frequency, F_c	MHz	-	55	-
Insertion Loss, IL	dB	-	15.4	17
-1.5dB bandwidth	MHz	-	0.5	-
-40dB bandwidth	MHz	-	1.7	2.5
Passband Ripple F _c +/-40KHz	MHz	-	0.1	1.0
Group Delay Variation F _c +/- 40KHz	nsec	-	120	170
Absolute Delay	usec	-	1.5	2.2
Temp. Coefficient	ppm/°C ²	-	-0.036	-
Source Impedance	Ohm	-	50	-
Load Impedance	Ohm	-	50	-

SAW Filter 55.0MHz
Part No: MP04109

Mode: TB0887A
Rev No:1

C. FREQUENCY CHARACTERISTICS:

(1) Wide band Response:(span 50MHz)

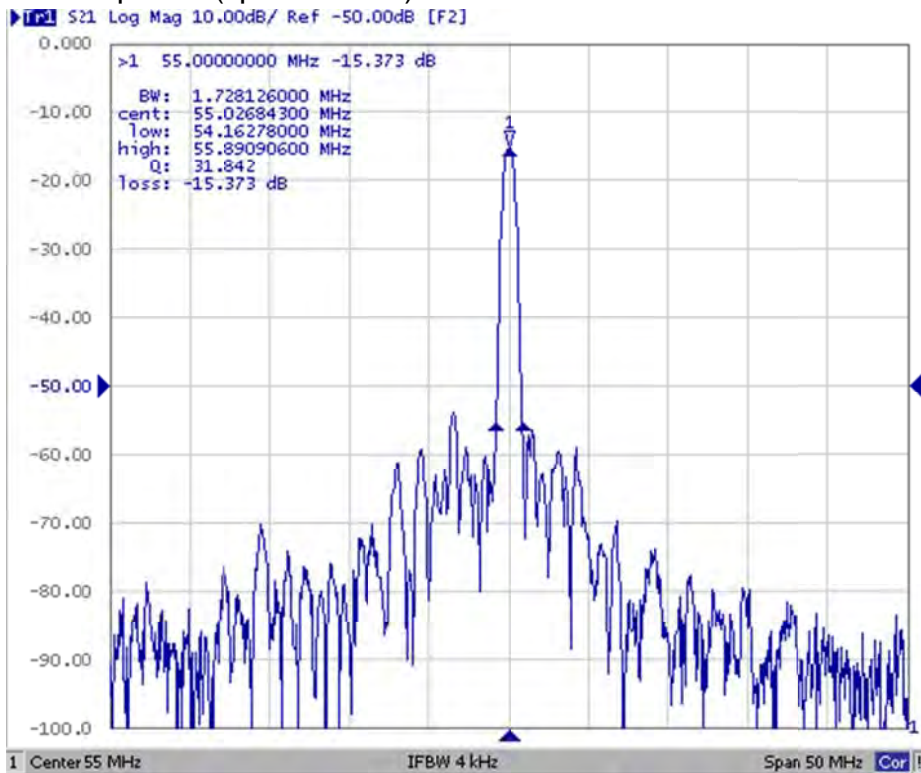


Fig1. Horizontal: 5MHz/Div Vertical: 10dB/Div

(2) Pass band Response and Group Time Delay response:

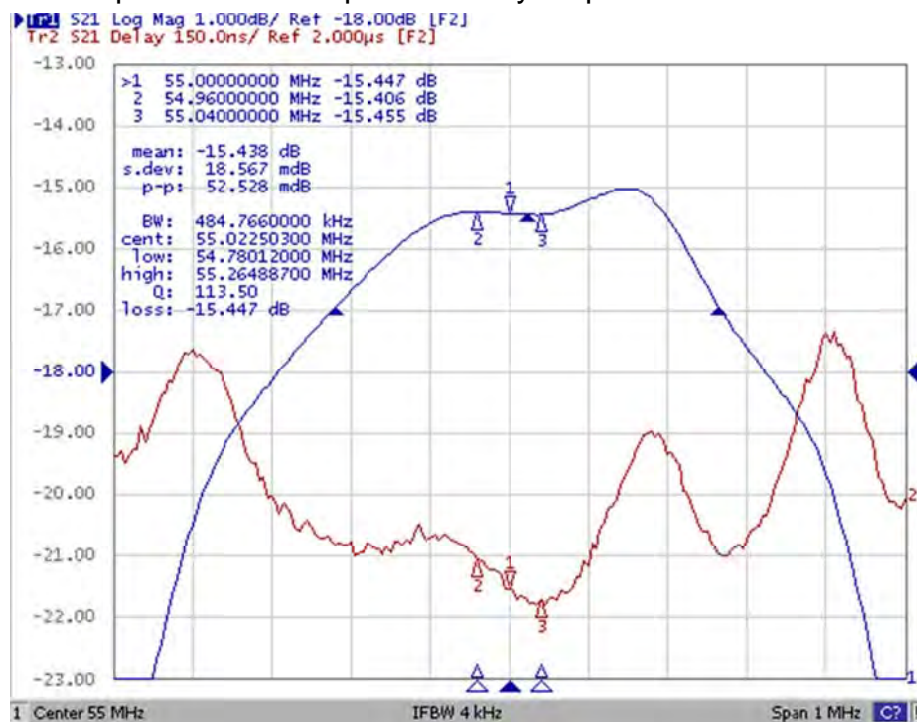


Fig2. Horizontal: 0.1MHz/Div Vertical: 1dB/Div. Vertical: 150ns/Div

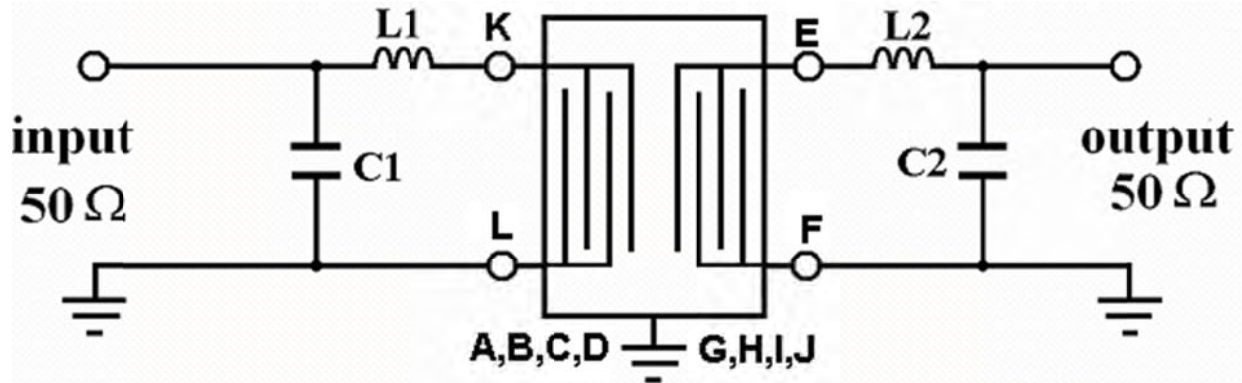
SAW Filter 55.0MHz

Mode: TB0887A

Part No: MP04109

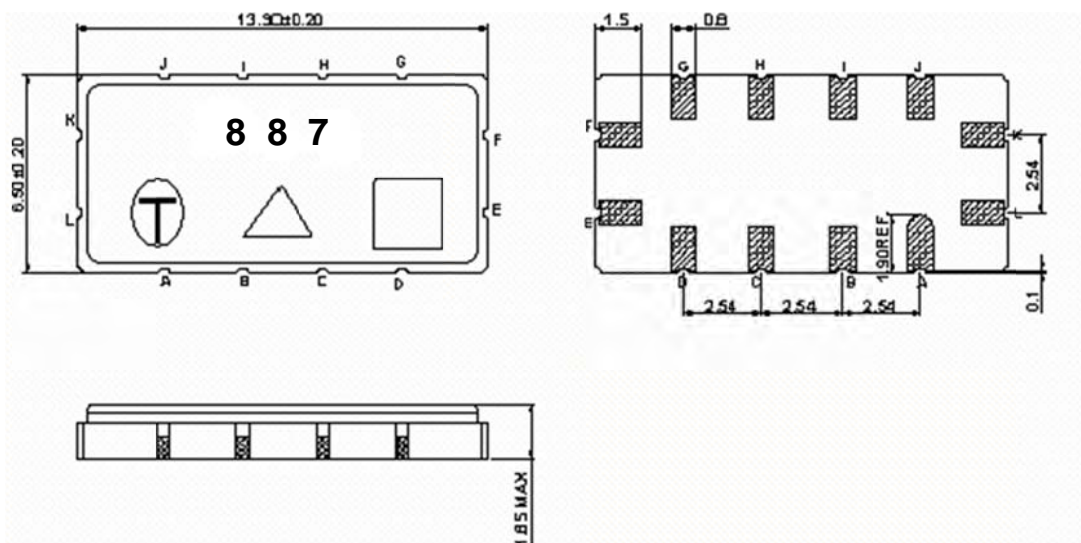
Rev No:1

D. MATCHING CIRCUIT:



$$L_{s2}=470\text{nH} + 680\text{nH} \quad L_{s3}= 380\text{nH} + 470\text{nH} \quad C_{p1} =56\text{pF} \quad C_{p4}=47\text{pF}$$

E. OUTLINE DRAWING:

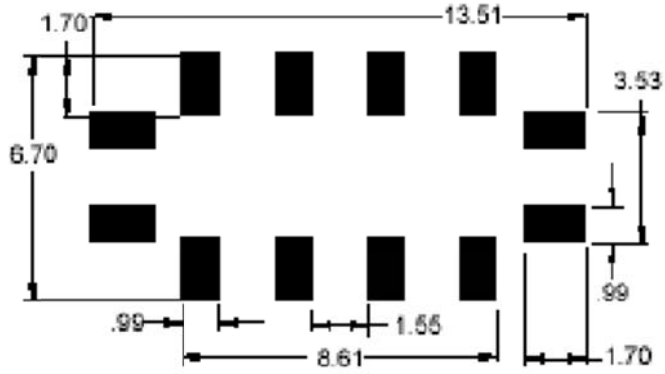


- #K : Input
- #L : Input Ground
- #E : Output
- #F : Output Ground
- #A,B,C,D,G,H,I,J : Ground

SAW Filter 55.0MHz
Part No: MP04109

Mode: TB0887A
Rev No:1

F. PCB FOOTPRINT:



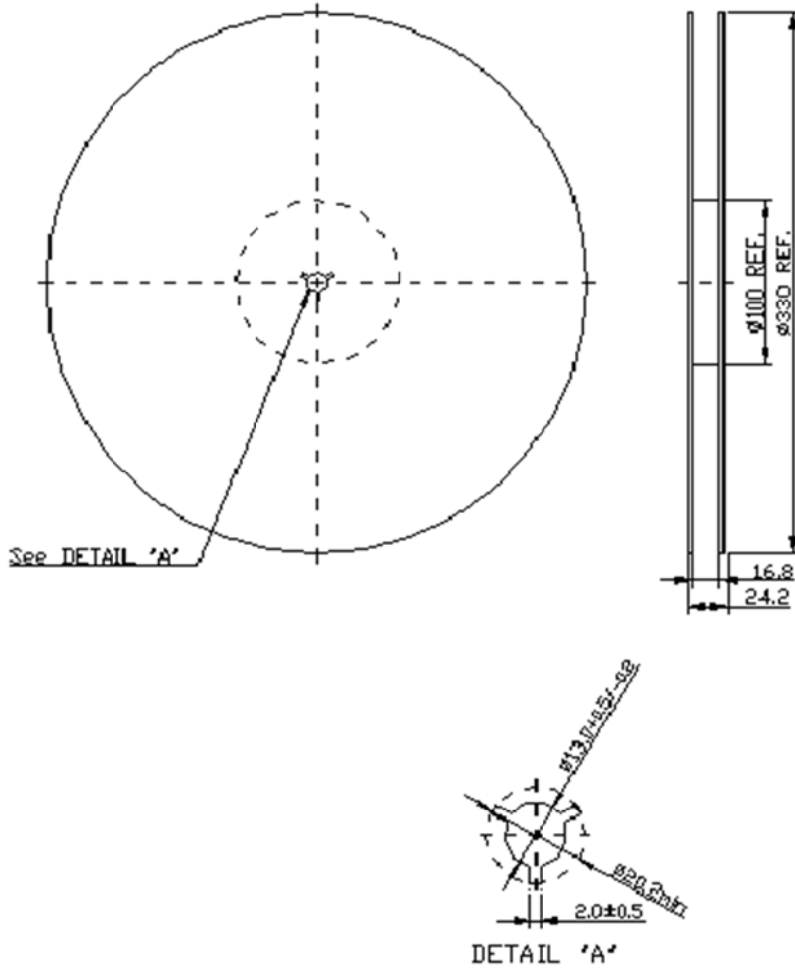
Unit: mm

SAW Filter 55.0MHz
Part No: MP04109

Mode: TB0887A
Rev No:1

G. PACKING:

1. REEL DIMENSION



2. TAPE DIMENSION

