

**SAW Filter 460.0MHz**  
**Part No: MP04055**

**Model: TA0474A**  
**Rev No: 1**

**A. MAXIMUM RATING:**

1. Input Power Level: 0dBm
2. DC voltage: 5V
3. Operating Temperature: -40°C to +85°C
4. Storage Temperature: -40°C to +85°C

**B. ELECTRICAL CHARACTERISTICS:**

TA = -40°C to +85°C

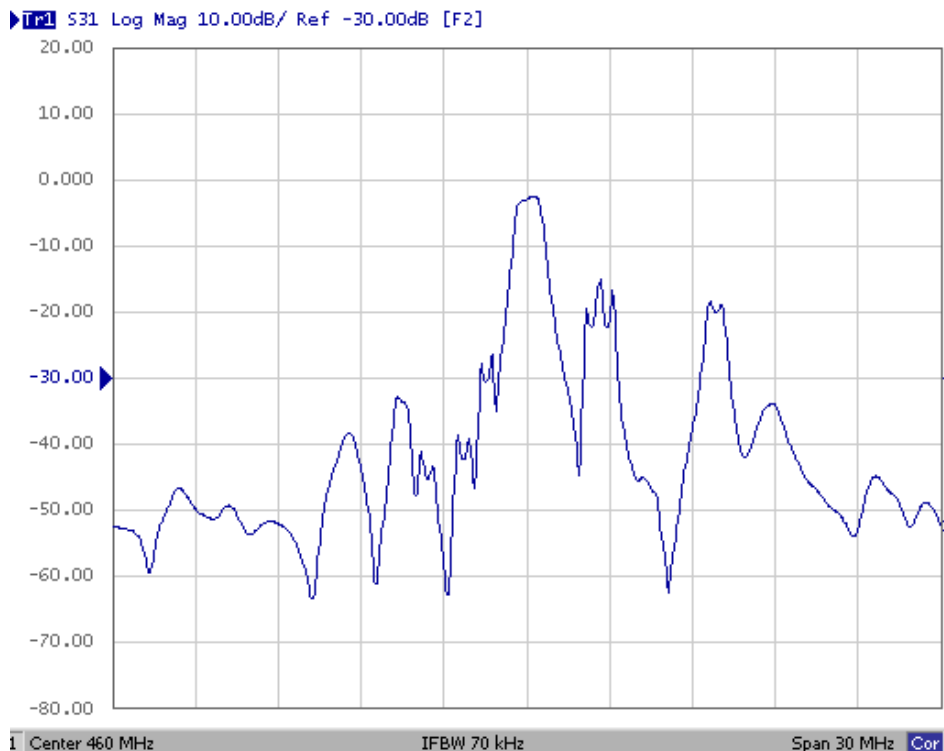
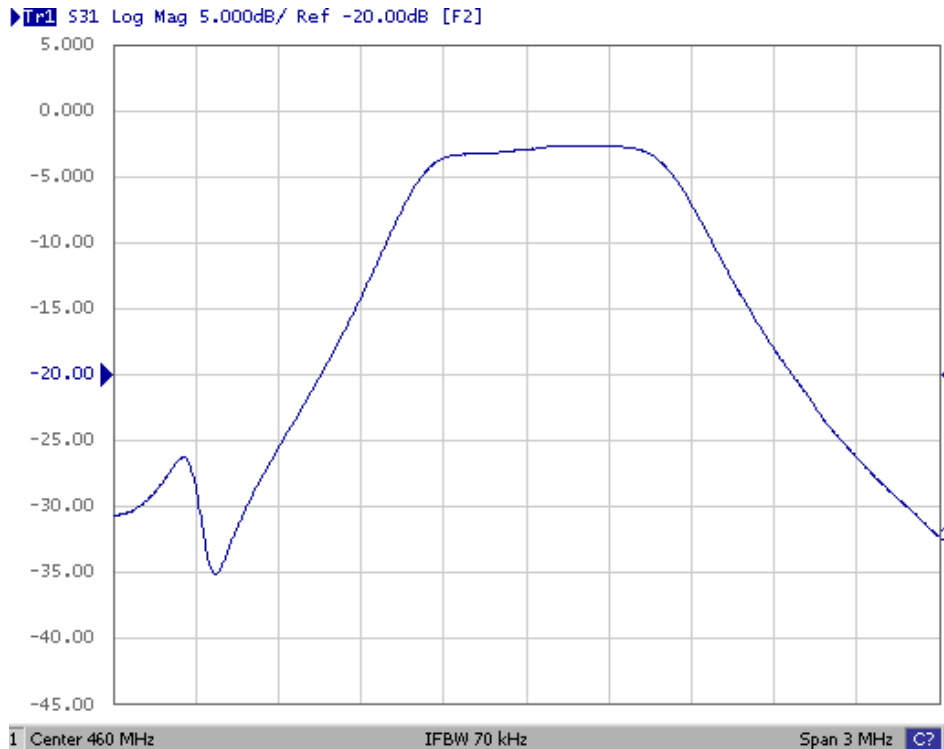
Item	Min.	Typ.	Max.	Note
Center frequency Fc (MHz)	-	460	-	1
Minimum IL (dB) IL min	-	2.8	4	
Pass band (relative to IL min) 459.75 ~ 460.25MHz (dB)	-	0.7	3	1
Pass bandwidth (relative to IL min) BW3 (kHz)	500	950	-	
Attenuation: (relative to IL min) (dB)				
10 ~ 437.2MHz (dB)	40	46	-	
437.2 ~ 448MHz (dB)	40	44	-	
448 ~ 458.8MHz (dB)	15	22	-	
461.4 ~ 471MHz (dB)	10	16	-	
471 ~ 483MHz (dB)	38	42	-	1
483 ~ 1000MHz (dB)	40	44	-	

Note 1: The standard definitions is in JIS C 6703

**SAW Filter 460.0MHz**  
**Part No: MP04055**

**Model: TA0474A**  
**Rev No: 1**

**C. FREQUENCY CHARACTERISTICS:**

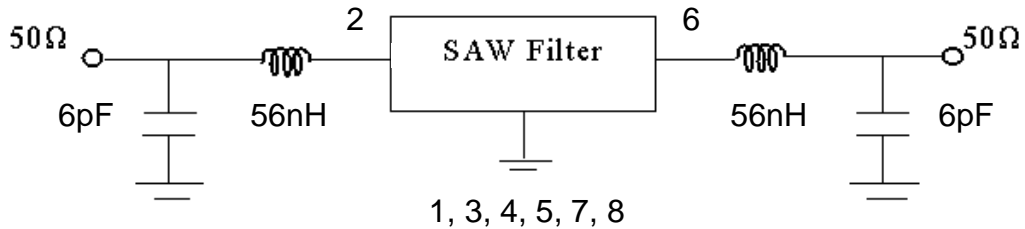


**SAW Filter 460.0MHz**  
**Part No: MP04055**

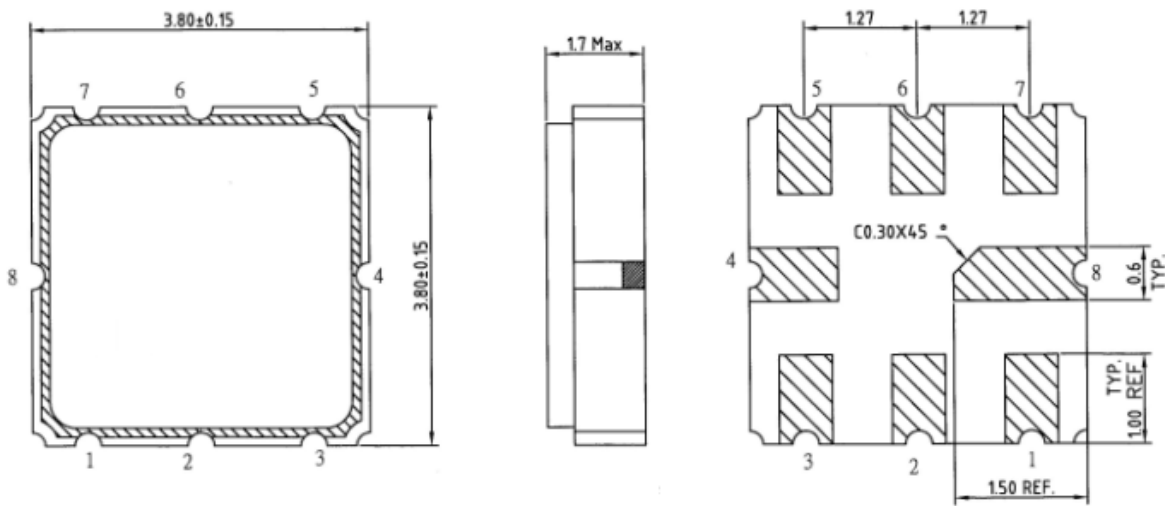
**Model: TA0474A**  
**Rev No: 1**

**D. MEASUREMENT CIRCUIT:**

HP Network analyzer

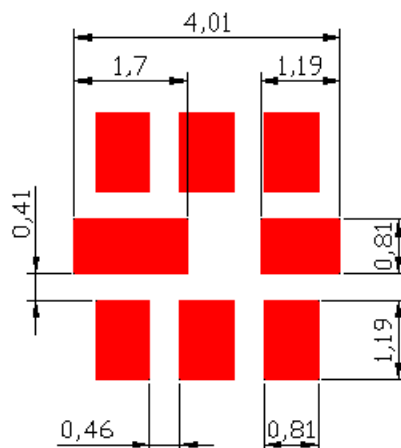


**E. OUTLINE DRAWING:**



Pin2: Input  
 Pin6: Output  
 Pin1,3,4,5,7,8 to be ground

**F. PCB FOOTPRINT:**

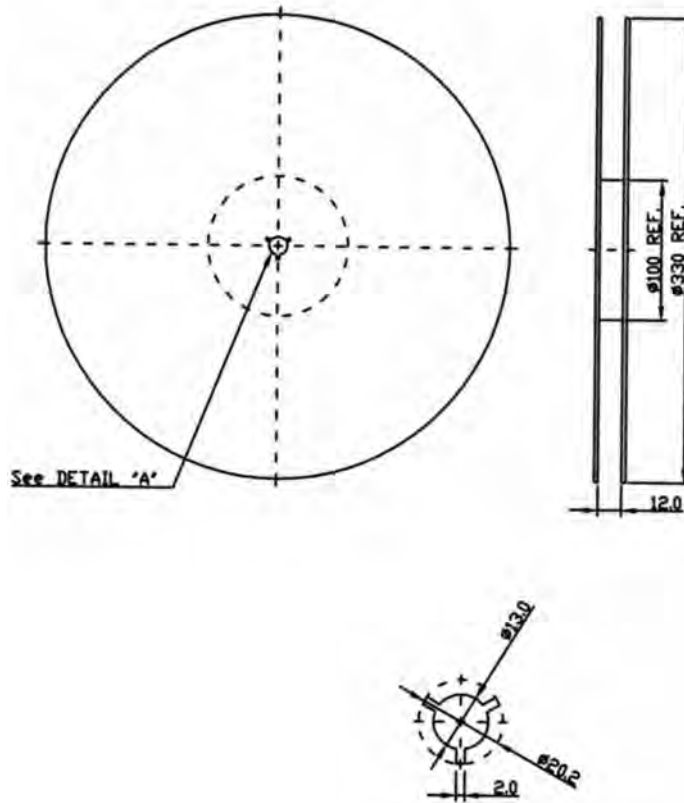


**SAW Filter 460.0MHz**  
**Part No: MP04055**

**Model: TA0474A**  
**Rev No: 1**

**G. PACKING:**

1. Reel Dimension



2. Tape Dimension

