

**SAW Filter 702.0MHz**  
**Part No: MP03755**

**Model: TA1049A**  
**Rev No: 2**

**A. MAXIMUM RATING:**

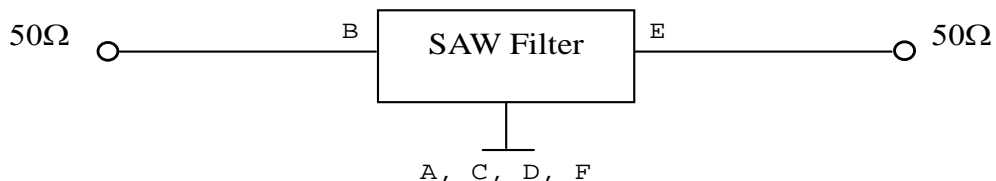
1. Input Power Level: 10dBm
2. DC Voltage: 3V
3. Operating Temperature: 0°C to +50°C
4. Storage Temperature: -30°C to +85°C

**B. ELECTRICAL CHARACTERISTICS:**

| Item                                    | Unit | Min. | Typ. | Max. |
|---|------|------|------|------|
| Center Frequency Fc                     | MHz  | -    | 702  | -    |
| Insertion Loss at Center Frequency IL c | dB   | -    | 1.6  | 2.2  |
| Insertion Loss (692 ~ 712MHz)           | dB   | -    | 2.2  | 4    |
| Amplitude Ripple (692 ~ 712MHz)         | dB   | -    | 0.6  | 2    |
| Bandwidth @ -2dB                        | MHz  | 20   | 30   | -    |
| VSWR at Center Frequency                | -    | -    | 1.4  | 2    |
| Attenuation (Reference level from 0dB)  |      |      |      |      |
| DC ~ 608MHz                             | dB   | 50   | 63   | -    |
| 608 ~ 614MHz                            | dB   | 30   | 65   | -    |
| 790 ~ 796MHz                            | dB   | 30   | 72   | -    |
| 1310 ~ 1498MHz                          | dB   | 40   | 55   | -    |
| 2012 ~ 2200MHz                          | dB   | 35   | 39   | -    |

**C. MEASUREMENT CIRCUIT:**

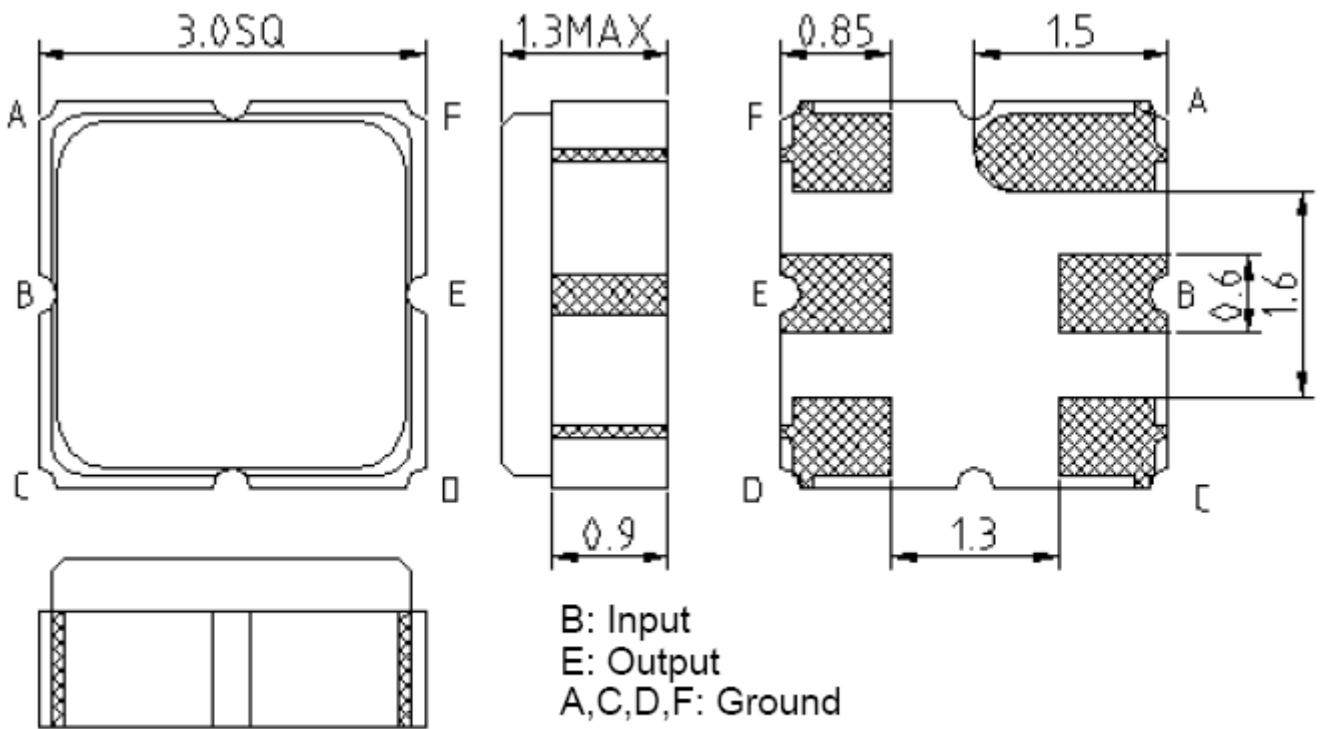
HP Network analyzer



**SAW Filter 702.0MHz**  
**Part No: MP03755**

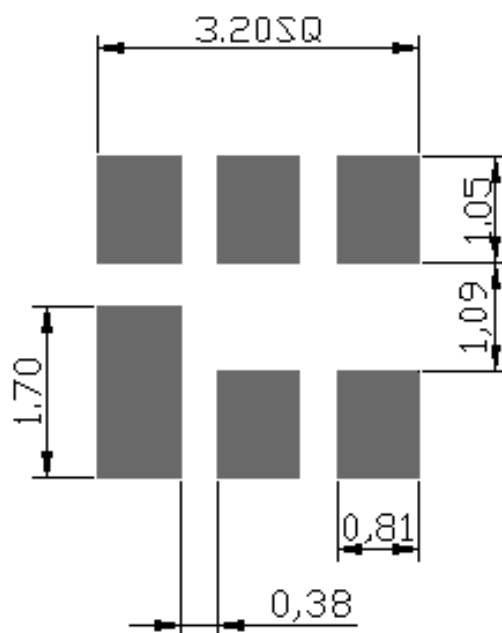
**Model: TA1049A**  
**Rev No: 2**

**D. OUTLINE DRAWING:**



Unit: mm

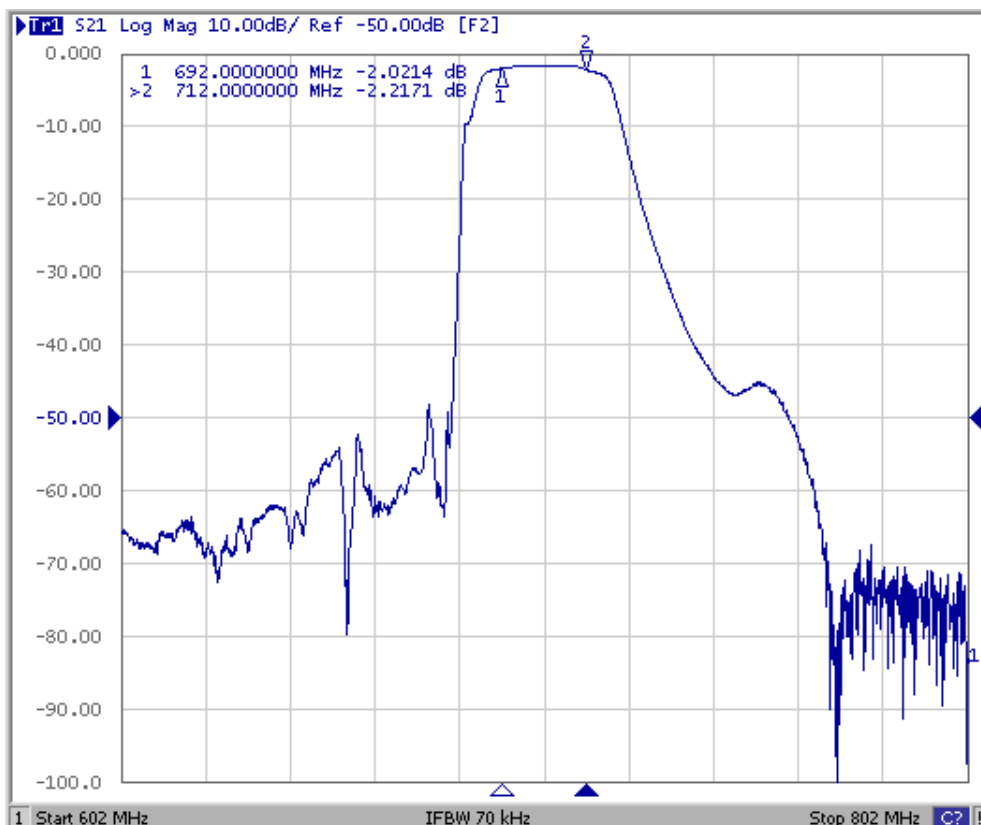
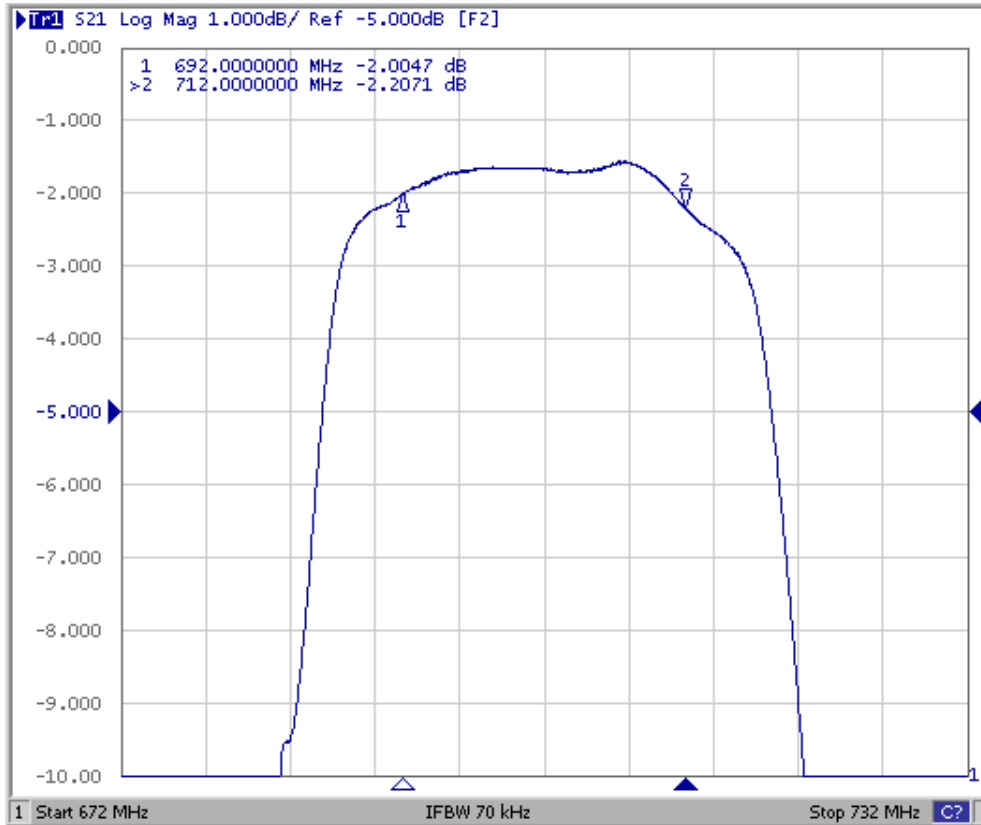
**E. PCB FOOTPRINT:**



**SAW Filter 702.0MHz**  
**Part No: MP03755**

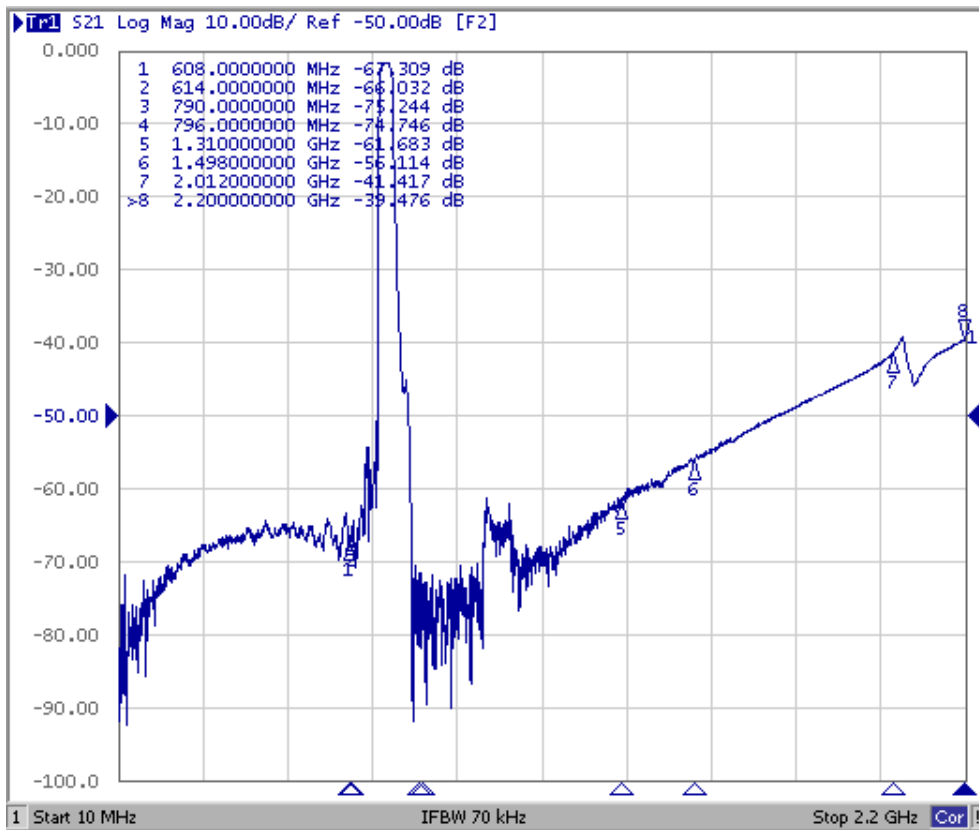
**Model: TA1049A**  
**Rev No: 2**

**F. FREQUENCY CHARACTERISTICS:**



**SAW Filter 702.0MHz**  
**Part No: MP03755**

**Model: TA1049A**  
**Rev No: 2**

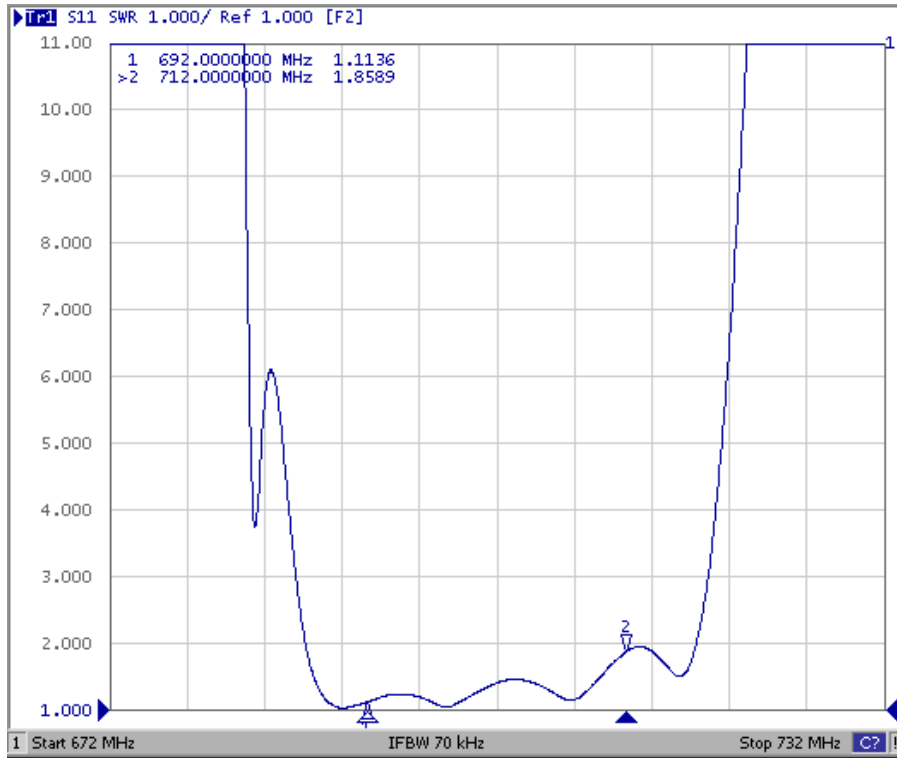


**SAW Filter 702.0MHz**  
**Part No: MP03755**

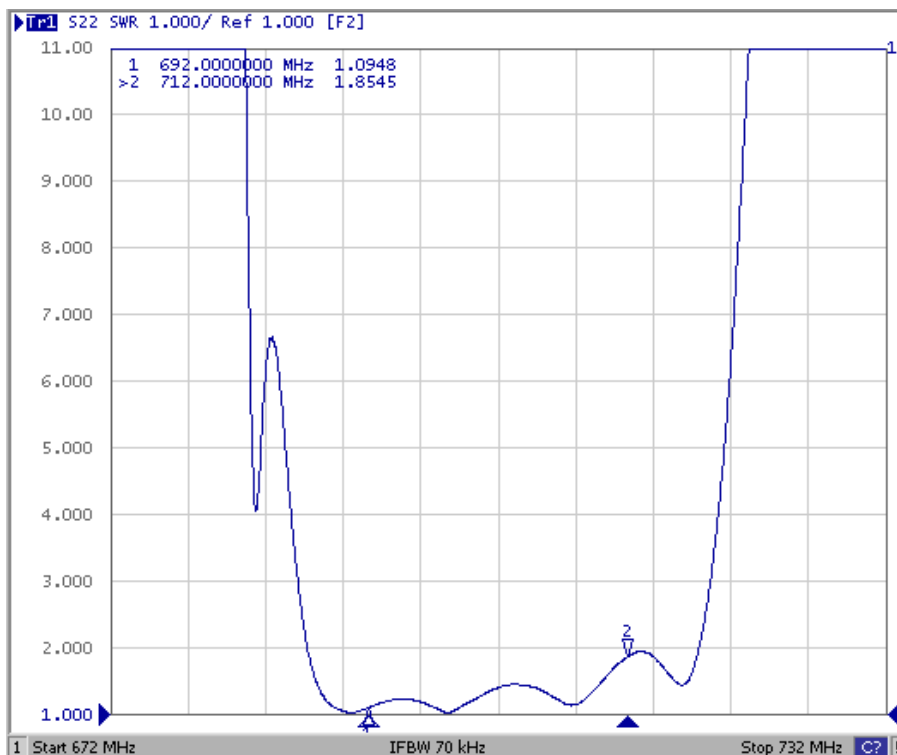
**Model: TA1049A**  
**Rev No: 2**

Reflection Functions

S11



S22

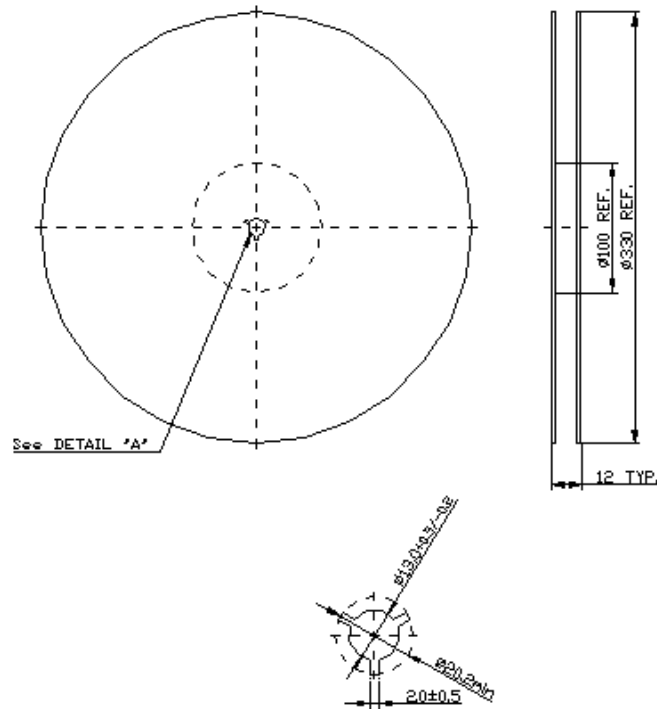


**SAW Filter 702.0MHz**  
**Part No: MP03755**

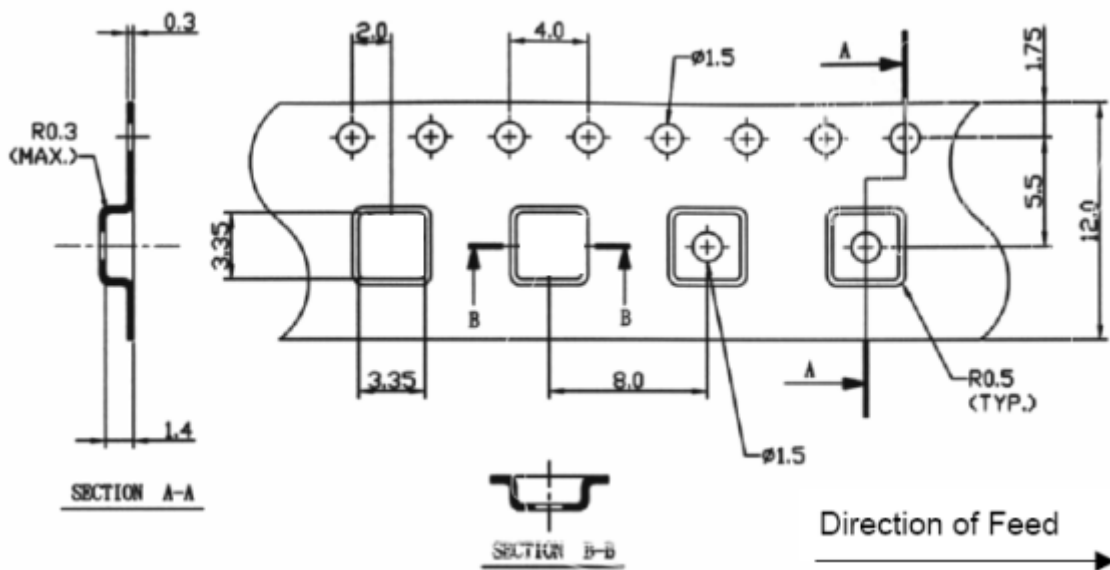
**Model: TA1049A**  
**Rev No: 2**

**G. PACKING:**

1. Reel Dimension



2. Tape Dimension



**SAW Filter 702.0MHz**  
**Part No: MP03755**

**Model: TA1049A**  
**Rev No: 2**

**H. RECOMMENDED REFLOW PROFILE:**

