

SAW Filter 464.0MHz
Part No: MP03703

Model: TB0459A
Rev No: 1

A. MAXIMUM RATING:

1. Operating Temperature: -40°C ~ +85°C
2. Storage Temperature: -40°C ~ +85°C
3. Input Power Level: 10dBm

B. CHARACTERISTICS:

1. Ambient Temperature: 25°C
2. Optimal Source Impedance (Balanced): 200Ω
3. Optimal Load Impedance (Balanced): 200Ω

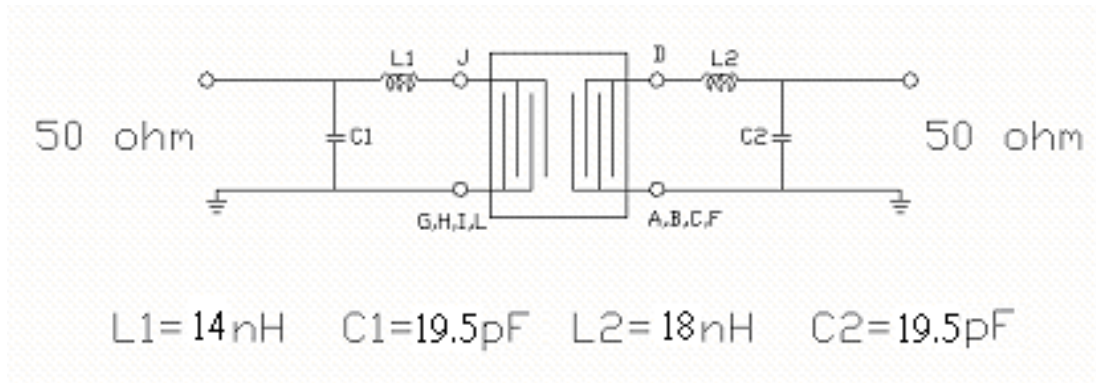
Characteristics	Value			Note
	Min.	Typ.	Max.	
Center frequency Fc MHz	-	464	-	-
Minimum Insertion Loss dB	-	15.5	18.0	-
1dB Bandwidth MHz	5.45	5.52	-	-
3dB Bandwidth MHz	-	5.68	5.90	-
Passband Ripple (Fc ± 2.5MHz) dB	-	1.2	1.5	-
Amplitude Ripple at any 26.875kHz adjacent segment within 5MHz dB	-0.1	±0.05	0.1	-
Amplitude Ripple at any 24.6875kHz adjacent segment within 5MHz dB	-0.1	±0.05	0.1	
Phase Linearity at any 26.875kHz adjacent segment within 5MHz Deg.	-1	±0.46	1	
Phase Linearity at any 24.6875kHz adjacent segment within 5MHz Deg.	-1	±0.43	1	
Attenuation: (Reference level from minimum insertion loss) dB				
Fc ± 3MHz dB	-	8.9	-	-
Fc ± 3.5MHz dB	10	33	-	-
Fc ± 5MHz dB	36	42	-	-
376MHz ~ 459 MHz dB	32	36	-	-
469MHz ~ 552MHz dB	34	39	-	-
Temp Coefficient ppm/°C ²	-0.036			

SAW Filter 464.0MHz
Part No: MP03703

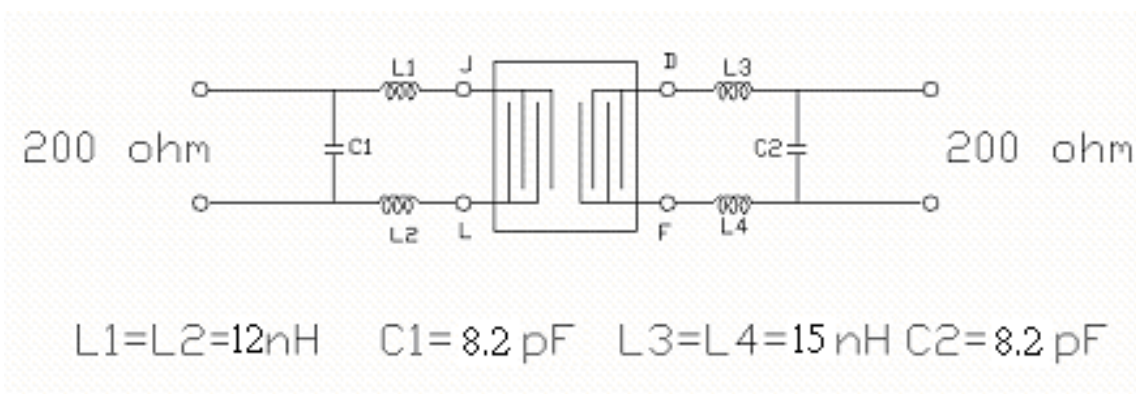
Model: TB0459A
Rev No: 1

C. MEASUREMENT CIRCUIT:

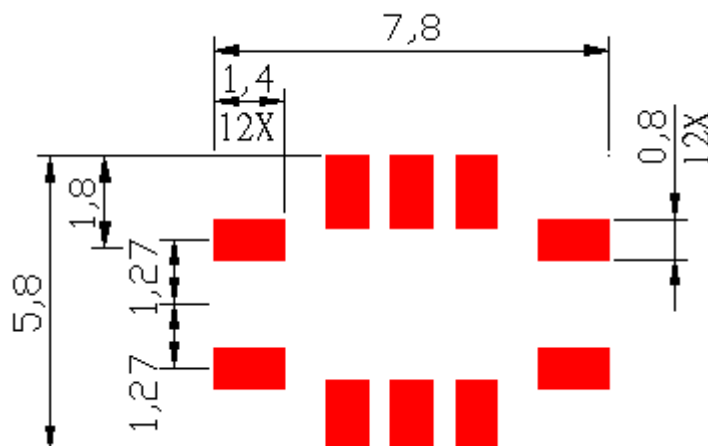
1. Single end 50Ω to Single end 50Ω



2. Balanced 200 ohm to Balanced 200Ω



D. PCB FOOTPRINT:



SAW Filter 464.0MHz
Part No: MP03703

Model: TB0459A
Rev No: 1

E. FREQUENCY CHARACTERISTICS:

1. S21 Response

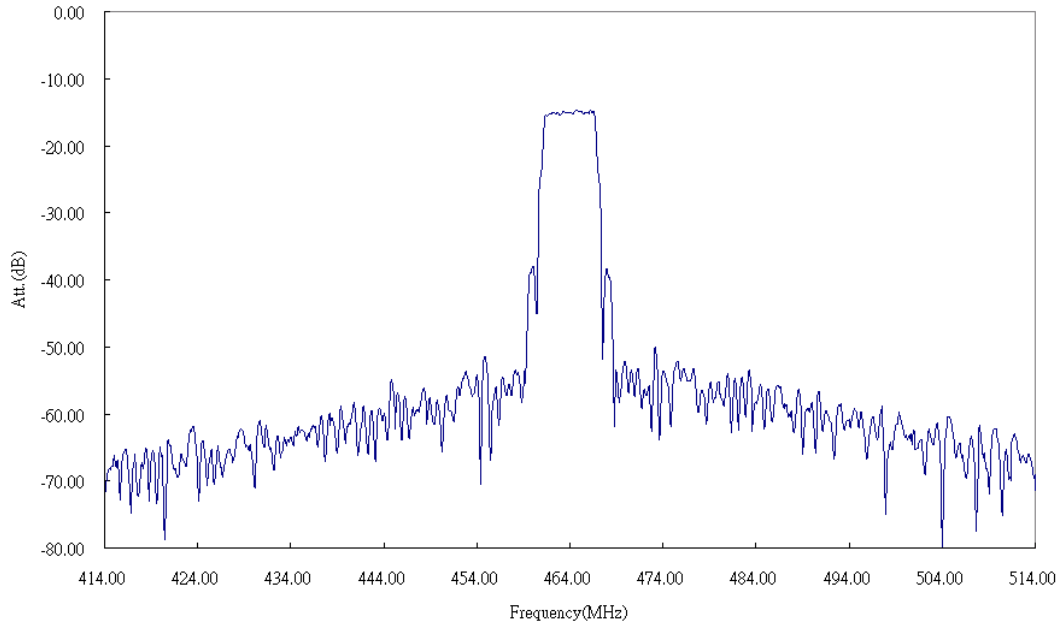


Fig. 1. Horizontal: 10MHz/Div, Vertical: 10dB/Div

2. Passband Ripple

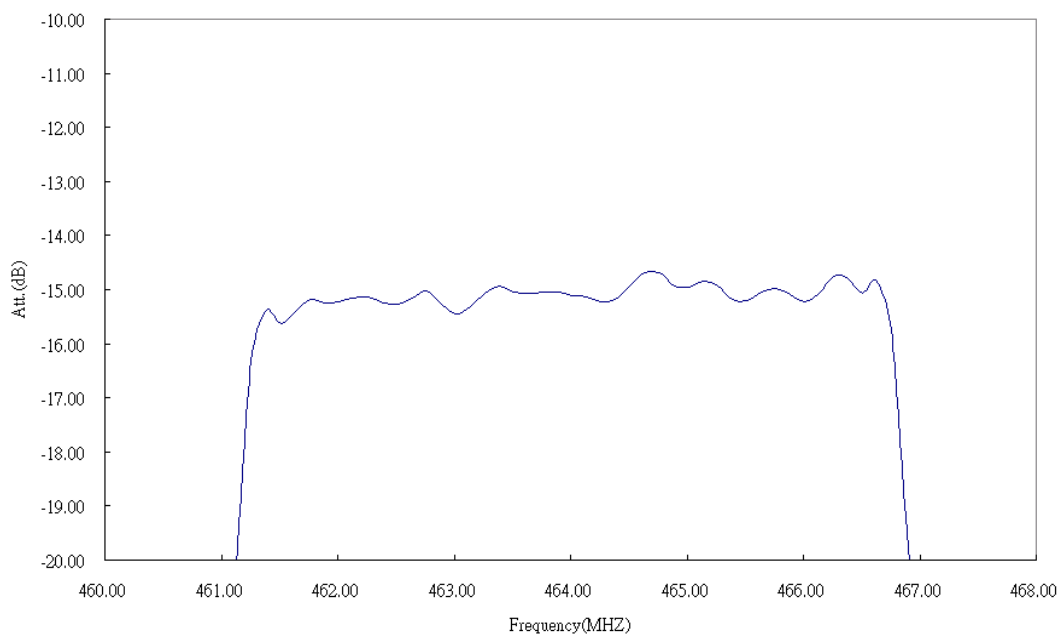


Fig. 2. Horizontal: 0.8MHz/Div, Vertical: 1dB/Div

SAW Filter 464.0MHz
Part No: MP03703

Model: TB0459A
Rev No: 1

3. Group Delay ripple

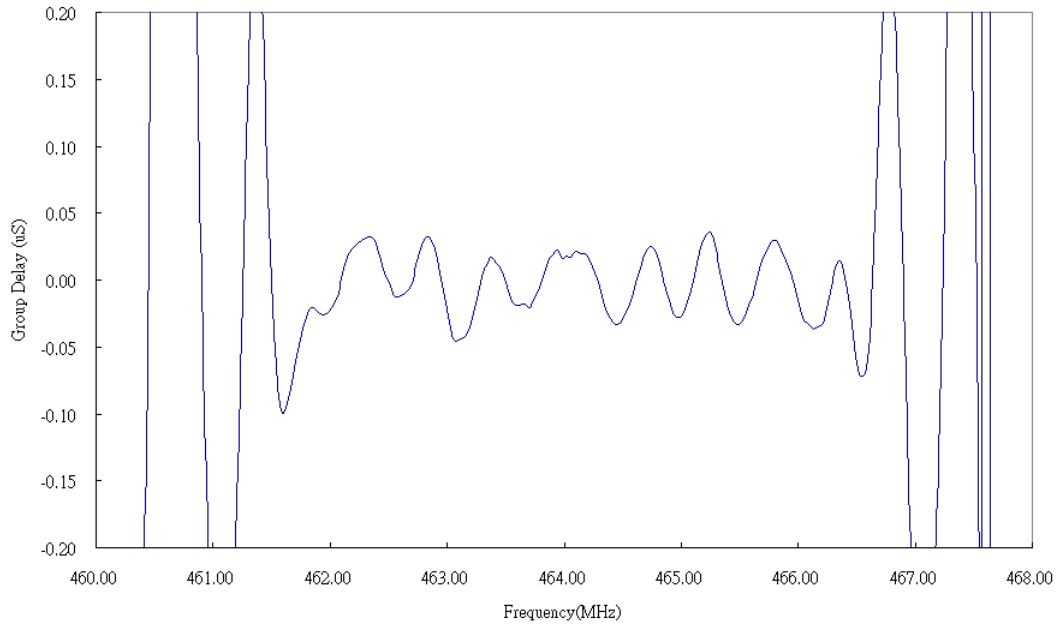


Fig. 3. Horizontal: 0.8 MHz/Div, Vertical: 50nS/Div

4. Wideband Response

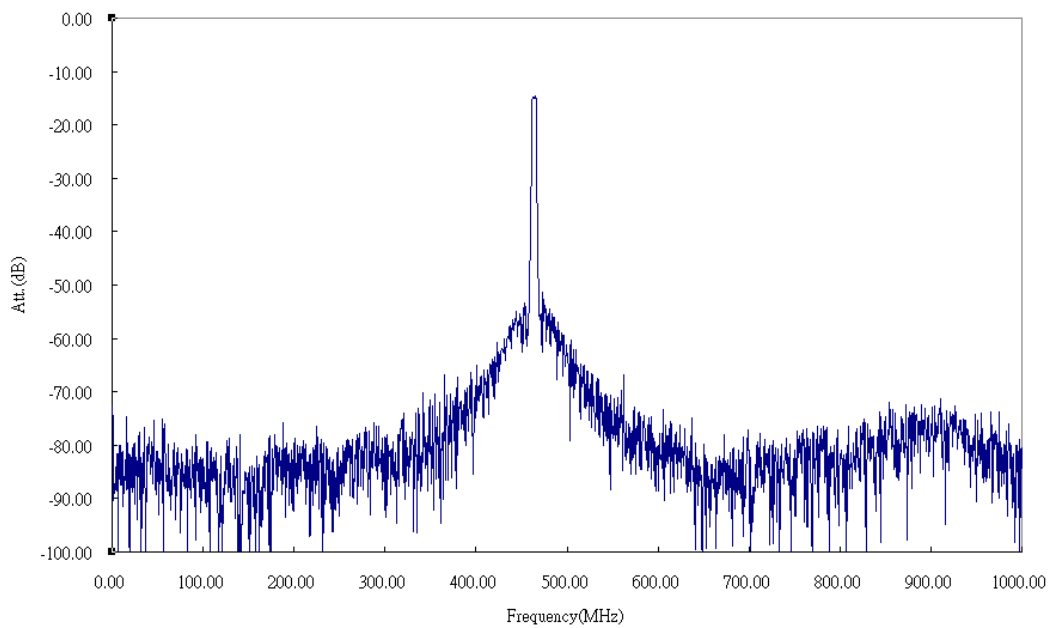
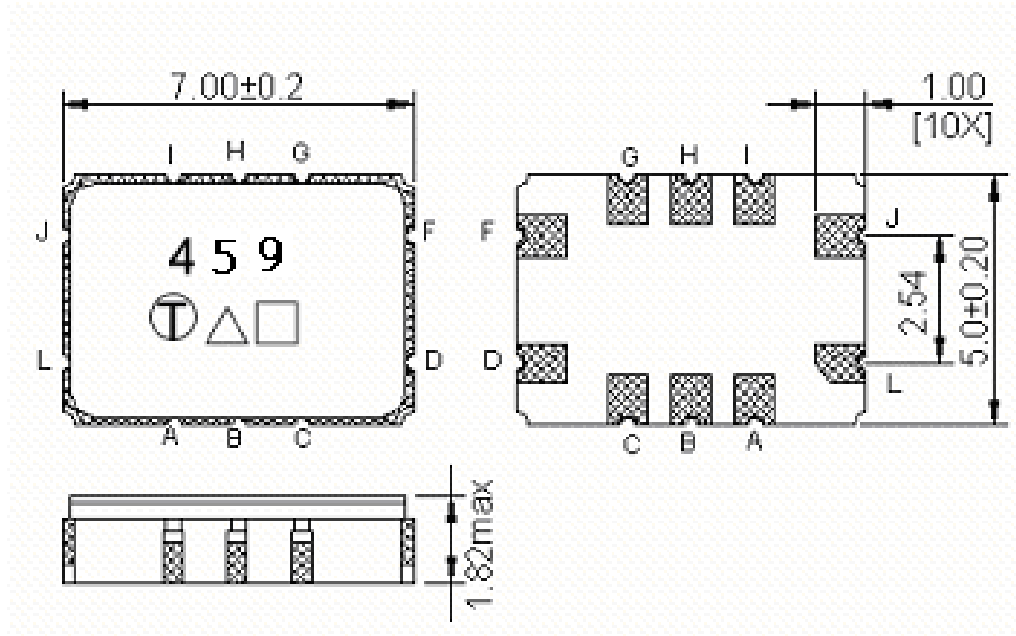


Fig. 4. Horizontal: 300kHz ~ 1GHz, Vertical: 10dB/Div

SAW Filter 464.0MHz
Part No: MP03703

Model: TB0459A
Rev No: 1

F. OUTLINE DRAWING:



J, L: Balanced Input

F, D: Balanced Output

A, B, C, I, H, G: To be Ground

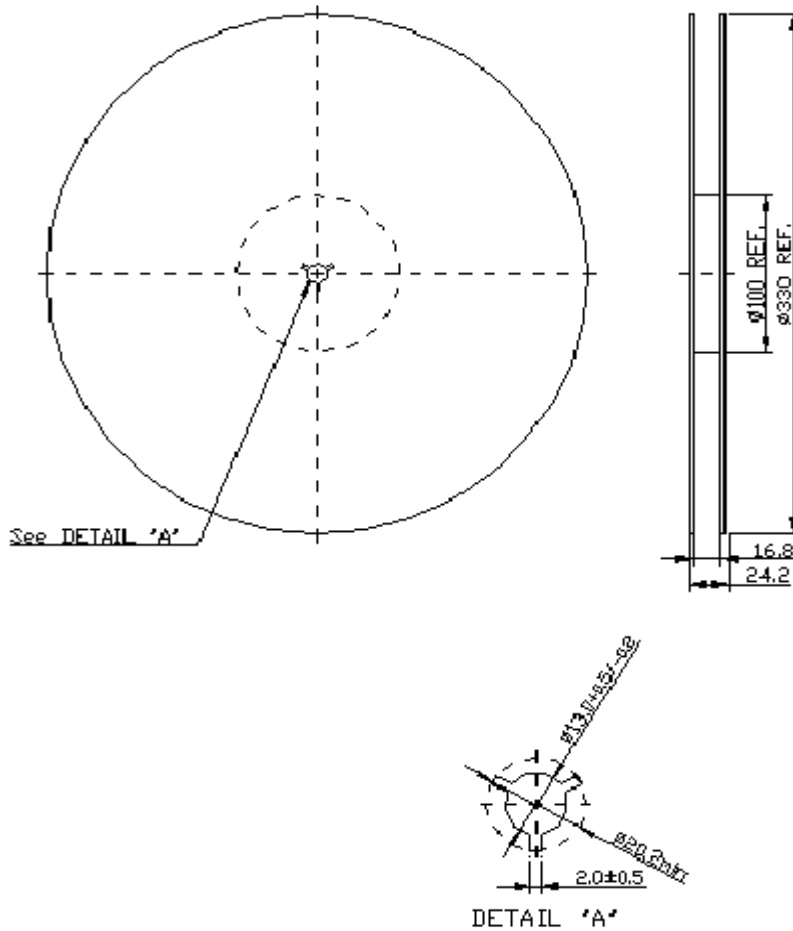
Unit: mm

SAW Filter 464.0MHz
Part No: MP03703

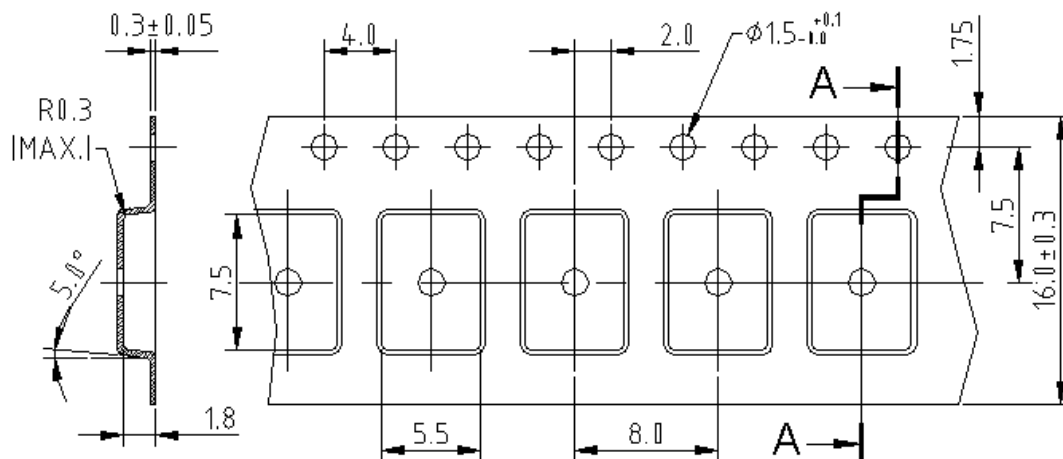
Model: TB0459A
Rev No: 1

G. PACKING:

1. REEL DIMENSION



2. TAPE DIMENSION



SAW Filter 464.0MHz
Part No: MP03703

Model: TB0459A
Rev No: 1

H. RECOMMENDED REFLOW PROFILE:

