

SAW Filter 290.0MHz

Model: TA0544A

Part No: MP01557

REV. NO.: 1

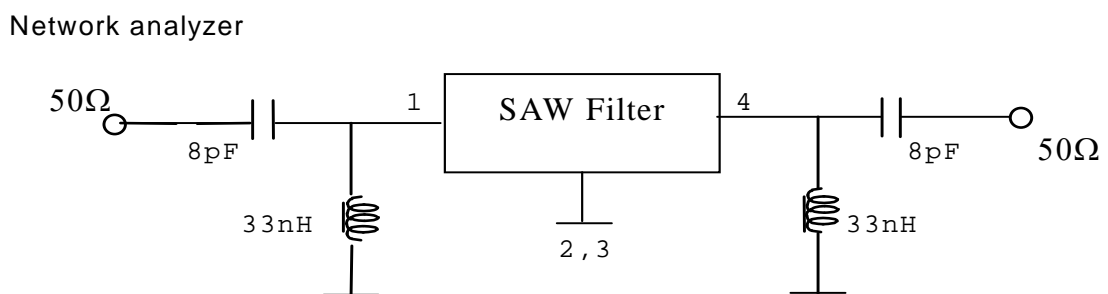
A. MAXIMUM RATING:

1. Input Power Level: 5 dBm
2. DC voltage: 3 V
3. Operating Temperature: -10°C to +50°C
4. Storage Temperature: -40°C to +85°C

B. ELECTRICAL CHARACTERISTICS:

Item	Min.	Typ.	Max.
Center frequency F_C (MHz)	-	290	-
I.L. (Within $F_C \pm 3.5\text{MHz}$) (dB)	-	2.7	4.5
Ripple (Within $F_C \pm 3.5\text{MHz}$) (dB)	-	0.7	2.0
Attenuation: (Reference level from 0 dB)			
$F_C - 100\text{MHz}$ to -37.5MHz (dB)	40	54	-
$F_C + 37.5\text{MHz}$ to $+ 100\text{MHz}$ (dB)	40	64	-

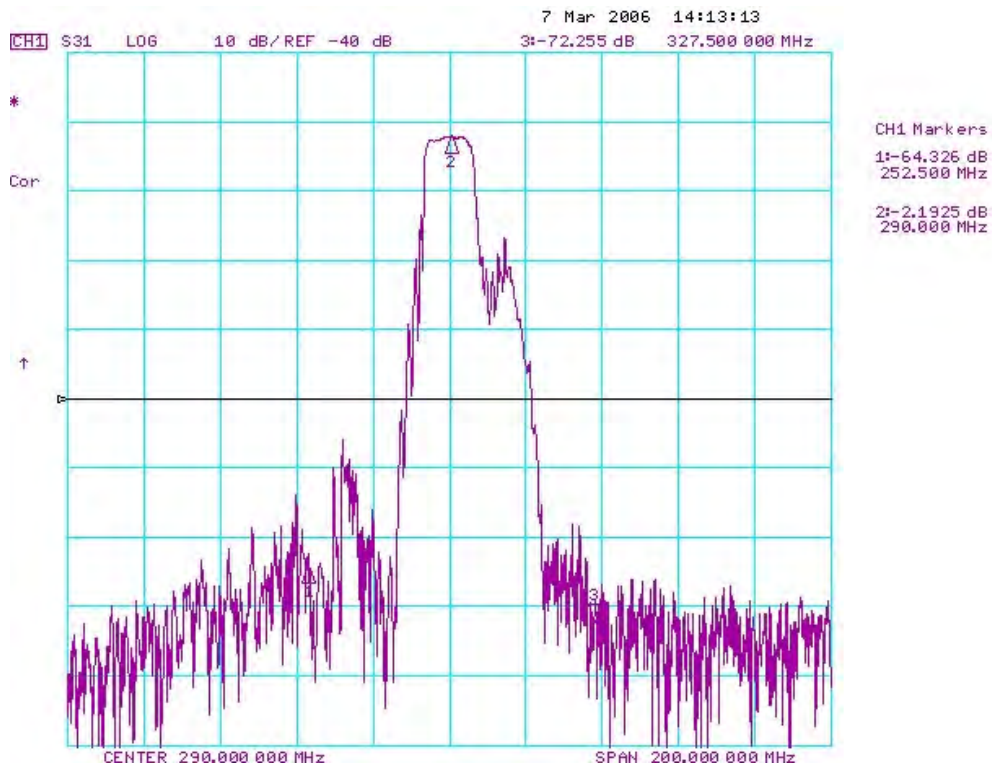
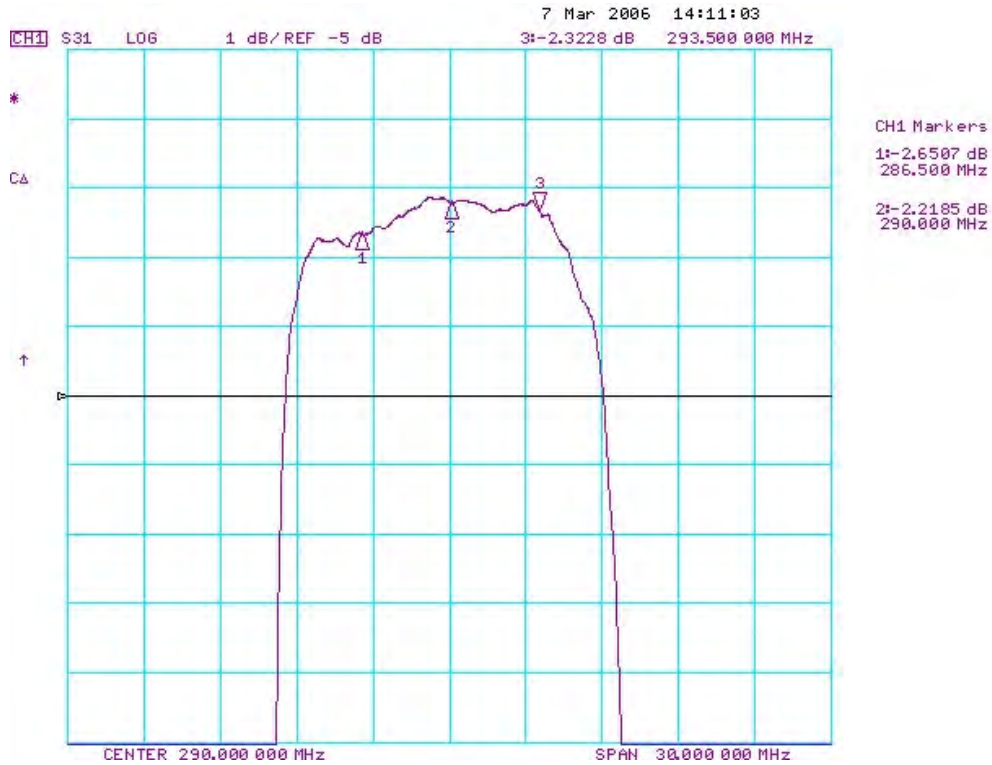
C. MEASUREMENT CIRCUIT:



SAW Filter 290.0MHz
Part No: MP01557

Model: TA0544A
REV. NO.: 1

D. TRANSFER FUNCTION:



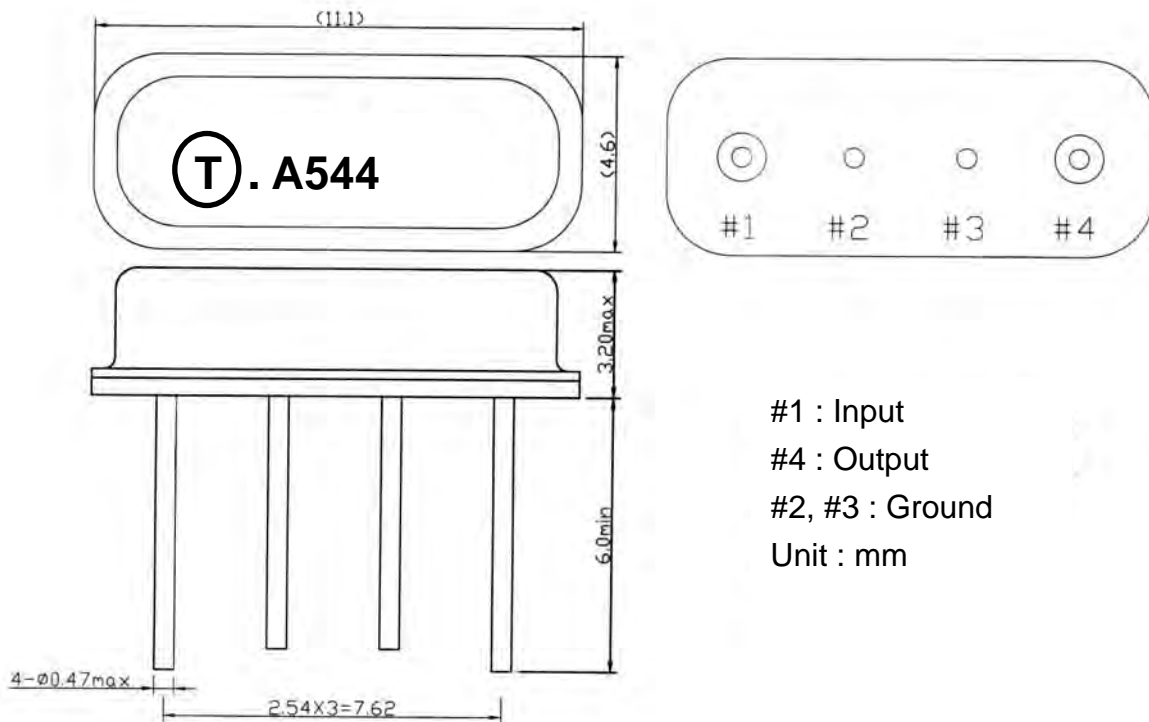
SAW Filter 290.0MHz

Model: TA0544A

Part No: MP01557

REV. NO.: 1

E. OUTLINE DRAWING:



F. RECOMMENDED REFLOW PROFILE:

