
SAW Filter 351.0MHz

Model: TB0648A

Part No: MP01103

REV. NO.: 1

A. MAXIMUM RATING:

1. Storage Temperature: -40°C to 85°C
2. Operating Temperature: -20°C to 70°C

B. CHARACTERISTICS:

Item	Unit	Min.	Type.	Max.
Center frequency, Fc	MHz	-	351	-
Insertion Loss 306 to 396 MHz	dB	-	15.3	16.5
Passband Variation 306 to 396 MHz	MHz	-	1.1	3
Relative Attenuation at 262MHz	dB	20	52	-
Relative Attenuation at 402MHz	dB	-	25	-
Temp Coefficient	ppm/K	-	-76	-

SAW Filter 351.0MHz

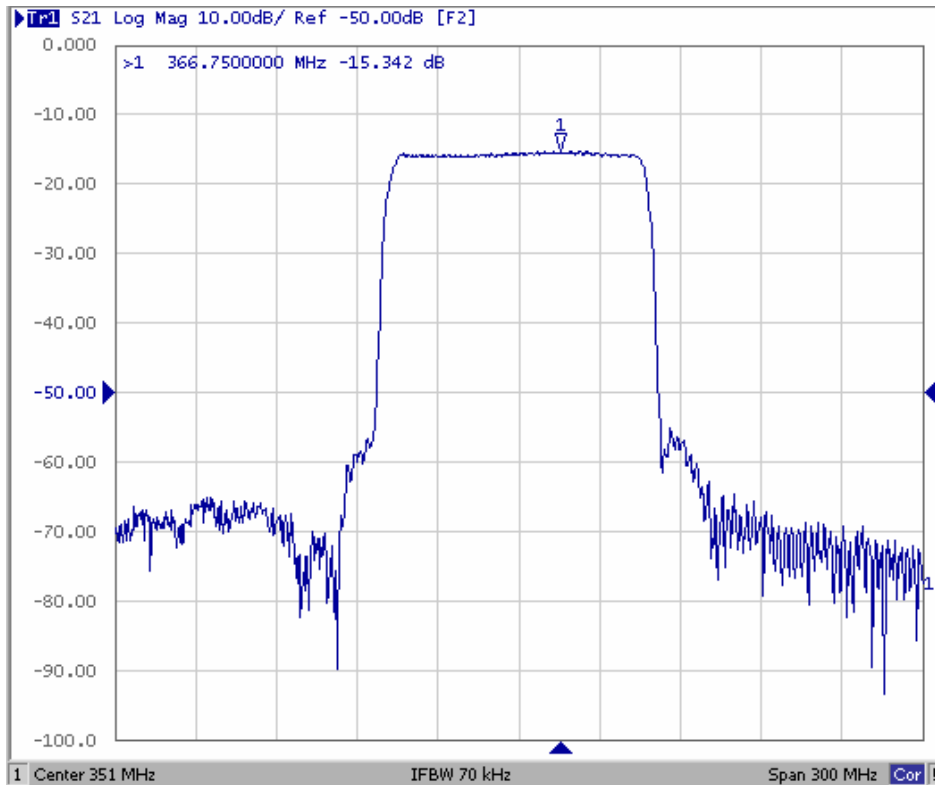
Model: TB0648A

Part No: MP01103

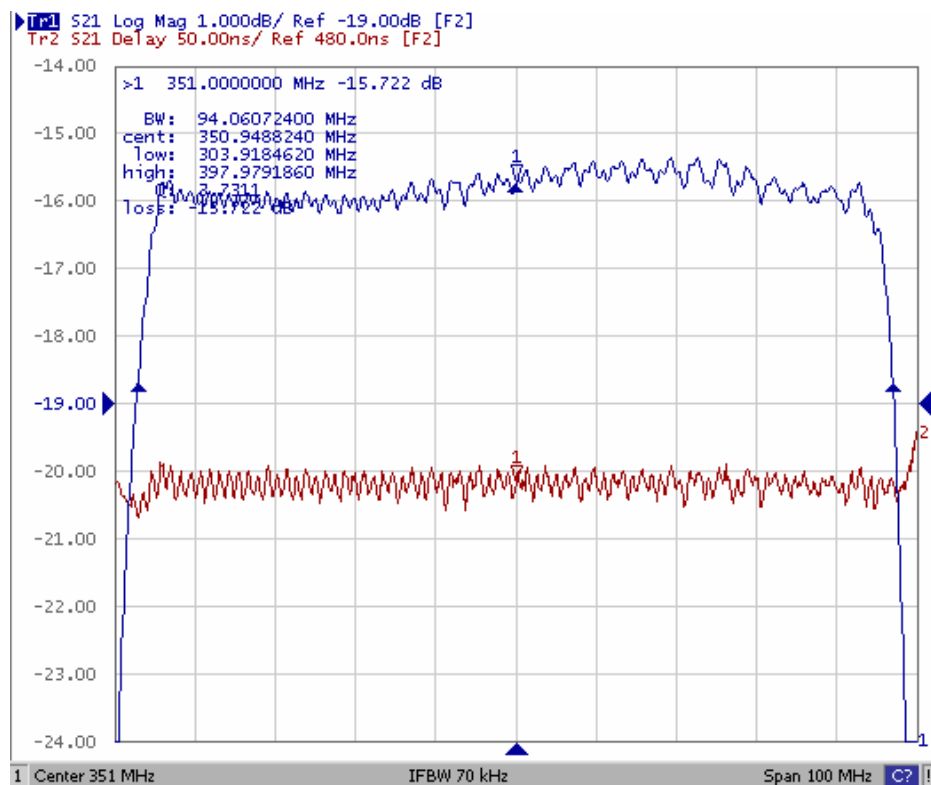
REV. NO.: 1

C. FREQUENCY CHARACTERISTICS:

Wideband Response:(span 300MHz)



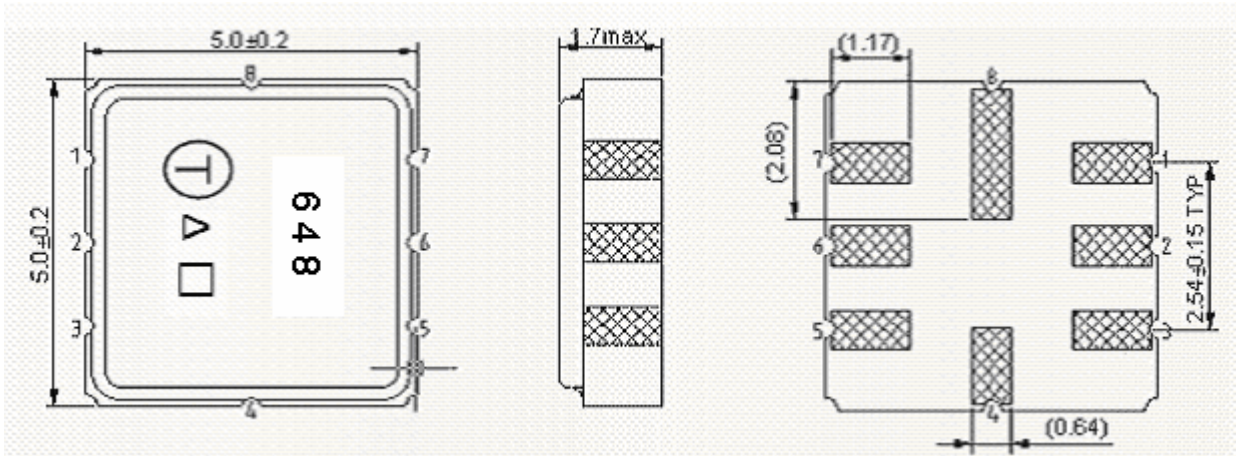
Passband Response:(span 100MHz)



SAW Filter 351.0MHz
Part No: MP01103

Model: TB0648A
 REV. NO.: 1

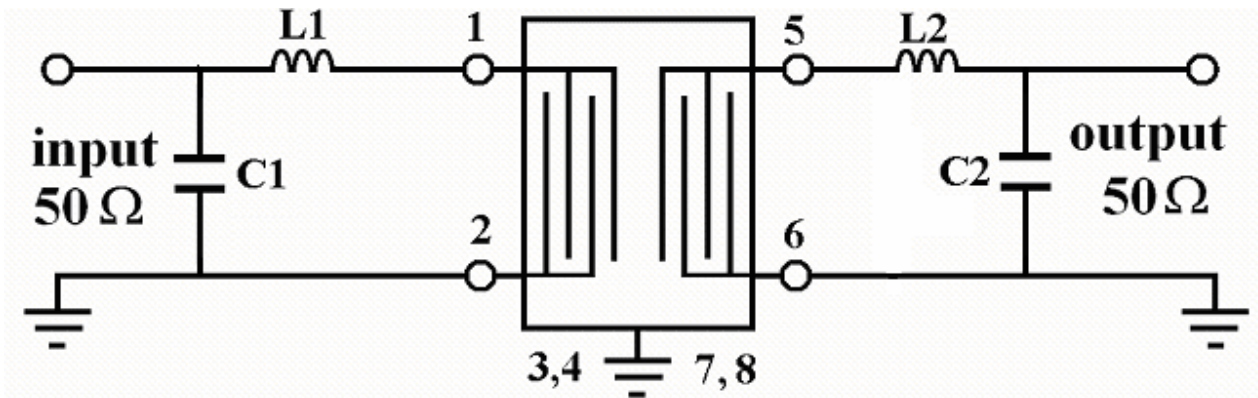
D. OUTLINE DRAWING:



- Pin 1 – Input
- Pin 2 – Input Ground
- Pin 3,4,7,8 – Ground
- Pin 5 – Output
- Pin 6 – Output Ground

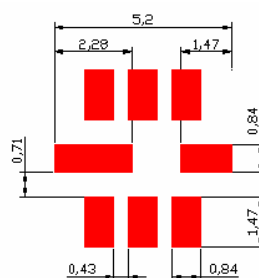
E. MATCHING CIRCUIT:

50 Ohm single ended Input - 50 Ohm single ended Output



$L1=36\text{nH}; L2=36\text{nH}; C1=8\text{pF}; C2=8\text{pF}$

F. PCB Footprint:

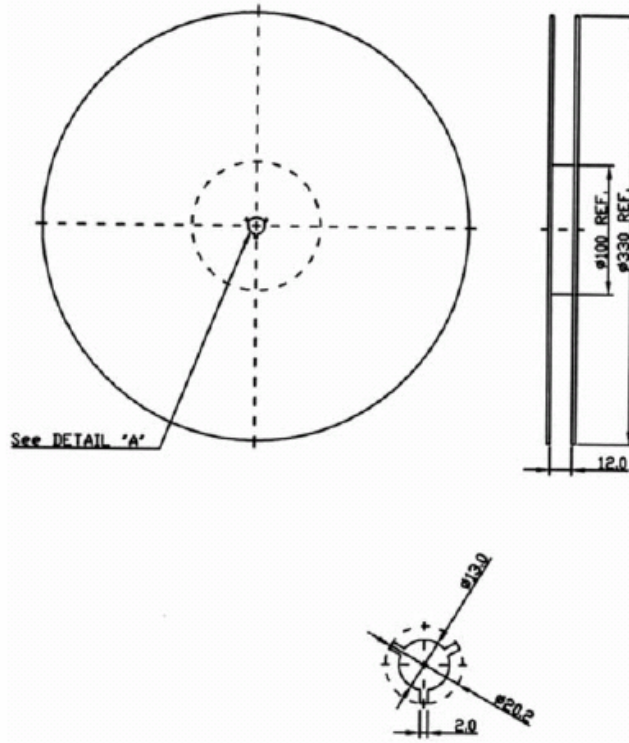


SAW Filter 351.0MHz
Part No: MP01103

Model: TB0648A
REV. NO.: 1

G. PACKING:

1. REEL DIMENSION:



2. TAPE DIMENSION:

